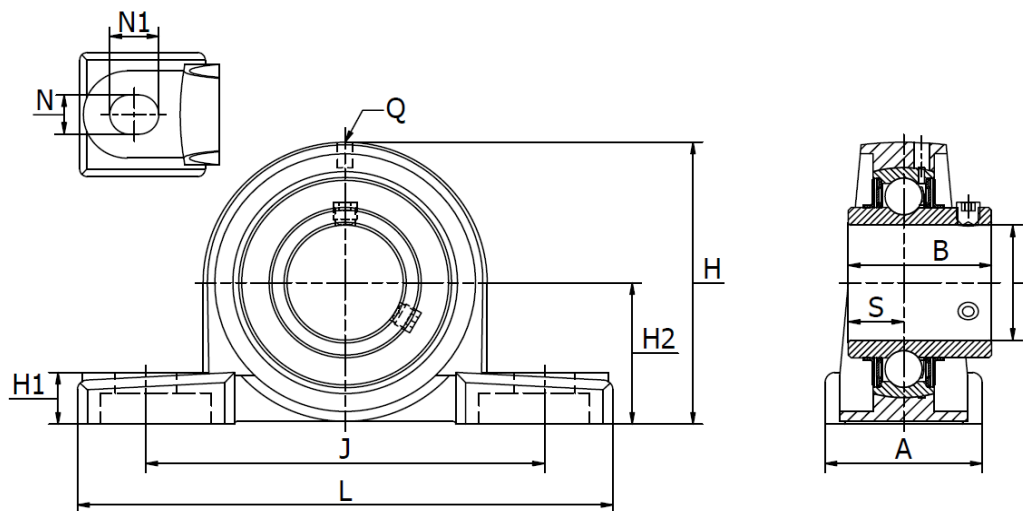




UCP 200 PPSS Series (SUCTP 200)

Thermoplastic pillow block housings, FDA & NSF approved grease. Stainless steel normal duty bearing, set screw locking.



| Product No. | d mm | Dimensions (mm) | | | | | | | | | | | Bolt size | Bearing No. | Housing No. | Optional covers | | Weight (kg) |
|-------------------------|---------|-----------------|-----|-----|----|----|----------------|----------------|-------|------|------|----|--------------|----------------|----------------|-----------------|----------|----------------|
| | | H ₂ | L | J | A | N | N ₁ | H ₁ | H | S | B | Q | | | | Closed | Open | |
| UCP 204 PPSS (SUCTP204) | 20 | 33,3 | 127 | 96 | 37 | 11 | 14 | 14 | 63,8 | 12,7 | 31,0 | M6 | M10 | UC 204 SS | TP204 | EC204 | EC204 OP | 0,30 |
| UCP 205 PPSS (SUCTP205) | 25 | 36,5 | 140 | 105 | 38 | 11 | 14 | 15 | 69,5 | 14,3 | 34,0 | M6 | M10 | UC 205 SS | TP205 | EC205 | EC205 OP | 0,40 |
| UCP 206 PPSS (SUCTP206) | 30 | 42,9 | 160 | 121 | 44 | 15 | 18 | 16 | 82,0 | 15,9 | 38,1 | M6 | M12 | UC 206 SS | TP206 | EC206 | EC206 OP | 0,70 |
| UCP 207 PPSS (SUCTP207) | 35 | 47,6 | 167 | 126 | 48 | 15 | 18 | 17 | 92,0 | 17,5 | 42,9 | M6 | M12 | UC 207 SS | TP207 | EC207 | EC207 OP | 0,90 |
| UCP 208 PPSS (SUCTP208) | 40 | 49,2 | 180 | 136 | 52 | 15 | 18 | 18 | 98,0 | 19,0 | 49,2 | M6 | M12 | UC 208 SS | TP208 | EC208 | EC208 OP | 1,10 |
| UCP 210 PPSS (SUCTP210) | 50 | 57,2 | 204 | 159 | 57 | 19 | 22 | 21 | 112,2 | 19,0 | 51,6 | M6 | M16 | UC 210 SS | TP210 | EC210 | EC210 OP | 1,50 |

Materials:

Housing: PBT (polybutylene terephthalate), solid base.
 Operating temperatures: -20°C to +120°C
 Grease nipple: AISI 304 Stainless
 Grease: Mobil FM 222 Food Grade FDA & NSF approved
 Mounting bolt bushing: AISI 304 Stainless

Bearing Inserts:

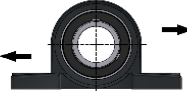
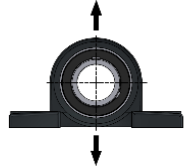
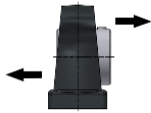
Inner & outer races, balls: AISI 420-440 Stainless
 Cage: AISI 302 Stainless
 Seals: Rubber & AISI 302 Stainless
 Set screws: AISI 420 Stainless

See next page for breaking loads



UCP 200 PPSS Series (SUCTP 200)

Thermoplastic pillow block housings, FDA & NSF approved grease. Stainless steel normal duty bearing, set screw locking.

| Breaking Point Test (kgs) | | | | | | | |
|--|------|-------|-------|-------|-------|-------|-------|
| Mode of load | 204 | 205 | 206 | 207 | 208 | 209 | 210 |
|  | 8800 | 13700 | 12650 | 12750 | 13100 | 13360 | 13850 |
|  | 7700 | 10000 | 10600 | 10800 | 11100 | 11400 | 11750 |
|  | 5000 | 8100 | 5750 | 7500 | 8500 | 8950 | 9550 |