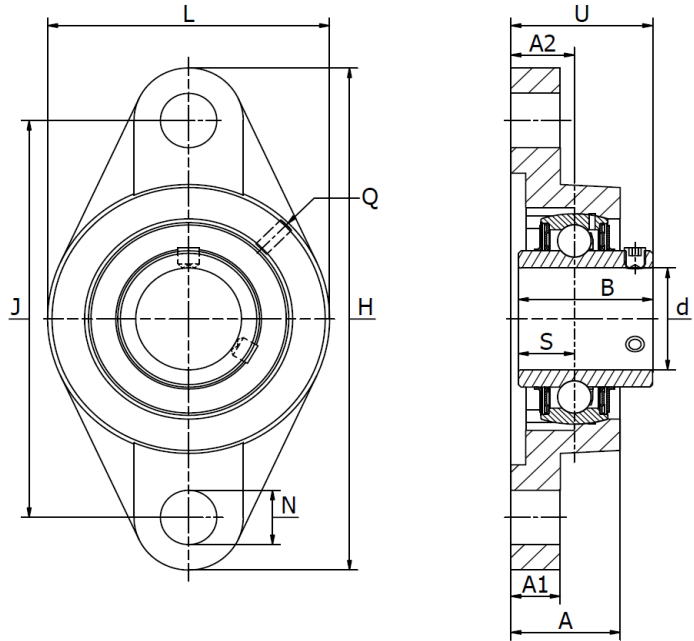




## UCFL 200 SS - Stainless Steel 2-Bolt Flange Units

Set Screw Locking, normal duty, also available with a solid base. FDA & NSF grease.



Part No.	Dimensions (mm)												Bolt size	Weight (Kg)
	d	H	J	L	A <sub>2</sub>	A <sub>1</sub>	A	B	U	N	S	Q		
UCFL 201 SS	12	99,0	76,0	60	15	11	27,0	31,0	30,9	12	11,5	M6	M10	0,45
UCFL 202 SS	15	99,0	76,0	60	15	11	27,0	31,0	30,9	12	11,5	M6	M10	0,45
UCFL 203 SS	17	99,0	76,0	60	15	11	27,0	31,0	30,9	12	11,5	M6	M10	0,43
UCFL 204 SS	20	112,0	90,0	60	15	12	25,5	31,0	33,3	12	12,7	M6	M10	0,48
UCFL 205 SS	25	124,0	99,0	68	16	13,5	27,0	34,0	35,7	16	14,3	M6	M10	0,60
UCFL 205 SS-1000	25	123,7	98,8	68	16	13	27,0	34,0	35,7	12	14,3	M6	M10	0,60
UCFL 206 SS	30	141,0	117,0	79	18	13,5	31,0	38,0	40,2	16	15,9	M6	M10	0,90
UCFL 207 SS	35	155,0	130,0	89	19	15	34,0	41,5	44,4	16	17,5	M6	M12	1,20
UCFL 208 SS	40	171,0	144,0	99	21	15	36,0	49,2	51,2	16	19,0	M6	M12	1,50
UCFL 209 SS	45	179,0	148,0	107	22	15	38,0	49,2	52,2	19	19,0	M6	M16	1,90
UCFL 210 SS	50	189,0	157,0	115	22	15	39,0	51,6	54,6	19	19,0	M6	M16	2,20
UCFL 211 SS	55	224,0	184,0	130	25	18	43,0	55,5	58,4	19	22,2	M6	M16	3,10
UCFL 212 SS	60	250,0	202,0	140	29	18	48,0	65,0	68,7	23	25,4	M6	M16	4,00
UCFL 213 SS	65	258,0	210,0	155	30	20	50,0	65,0	69,7	23	25,4	M6	M20	5,00
UCFL 214 SS	70	265,0	216,0	160	31	20	54,0	74,6	75,4	23	30,2	M6	M20	5,60
UCFL 215 SS	75	275,0	225,0	164	34	22	55,0	78,0	78,5	23	33,3	M6	M20	6,20
UCFL 216 SS	80	290,0	233,0	180	34	22	58,0	82,5	83,3	25	33,3	M6	M22	7,80

Add suffix **SOLID** to order the solid base version.

### Materials:

#### Bearing Inserts:

Inner & Outer Races: AISI 420-440 Stainless  
 Cage: AISI 302 Stainless  
 Balls: AISI 420-440 Stainless  
 Seals: Rubber & AISI 302 Stainless  
 Set Screws: AISI 420 Stainless  
 Grease Nipple: AISI 304  
 Grease: Mobil FM 222 Food Grade FDA & NSF approved

#### Housing:

AISI 304 Stainless.  
*Also available with a solid base.*

**The solid base version** has no cavities in the bottom where dirt can collect over time, thus making it easier to keep clean.