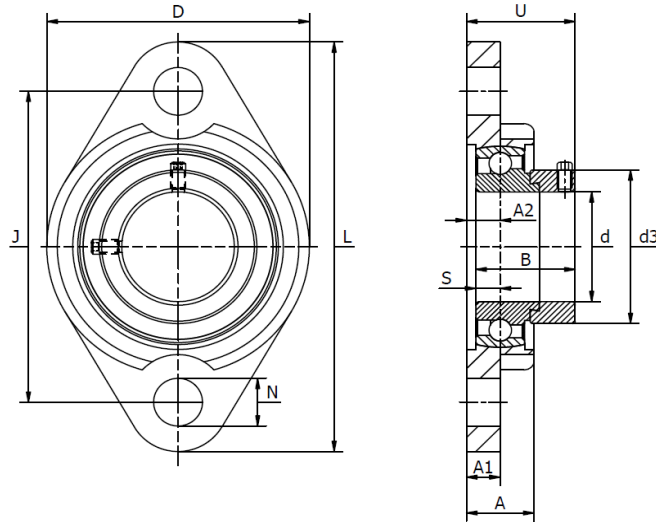




MUFL 000 U2 - 2-Bolt Flanged Housings Series

Silver series, rustproof zinc aluminium housing, eccentric locking collar, solid base.



Product No.	d mm	Dimensions (mm)											Mounting bolt	Weight (Kg)	Basic load rating (N)		Temperature
		L	J	A2	A1	A	N	D	U	B	S	d3			Dynamic (Cr)	Static (Cor)	
MUFL000.U2	10	60	45	5,5	5,5	11,5	7	36	19,0	17,5	4,0	17,0	M6	0,100	3900	1550	-10°C to +80°C
MUFL001.U2	12	63	48	5,5	5,5	11,5	7	38	19,0	17,5	4,0	19,0	M6	0,100	4300	1900	-10°C to +80°C
MUFL002.U2	15	67	53	6,5	6,5	13,0	7	42	20,5	18,5	4,5	22,0	M6	0,100	4750	2250	-10°C to +80°C
MUFL003.U2	17	71	56	7,0	7,0	14,0	7	46	22,5	20,5	5,0	25,0	M6	0,200	5100	2650	-10°C to +80°C
MUFL004.U2	20	90	71	8,0	8,0	16,0	10	55	26,5	24,5	6,0	30,0	M8	0,200	7900	4000	-10°C to +80°C
MUFL005.U2	25	95	75	8,0	8,0	16,0	10	60	27,5	25,5	6,0	36,0	M8	0,200	8600	4650	-10°C to +80°C
MUFL006.U2	30	112	85	9,0	9,0	18,0	13	70	29,0	26,5	6,5	42,0	M10	0,300	11300	6600	-10°C to +80°C

Bearing Inserts:

Inner & Outer Races: AISI 420-440 Stainless

Balls: AISI 420-440 Stainless

Seals: Rubber

Eccentric Locking Collar: AISI 304 Stainless

Grease: FDA food approved grease