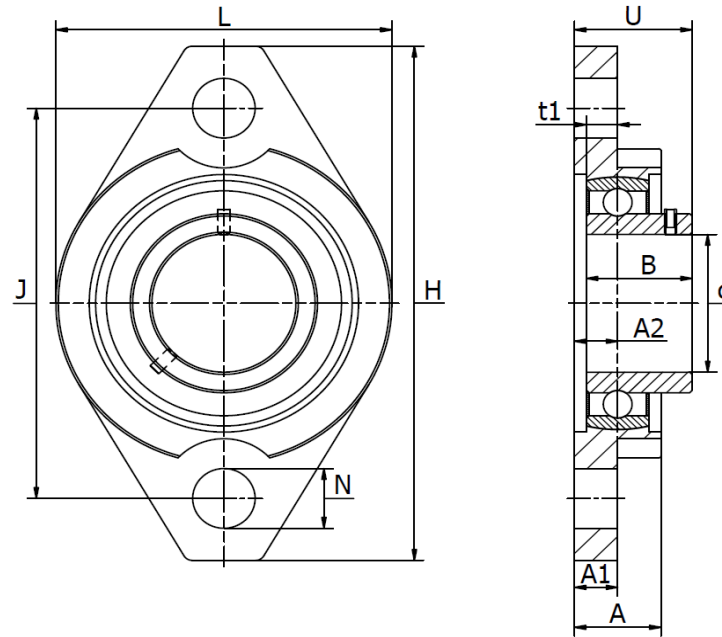




## KFL 000 - 2-Bolt Flanged Housing Series

Silver Series, rustproof zinc aluminium housing, high carbon chromium bearings, set screw locking, solid base.



Type	Dimensions (mm)											Bolt Size mm	Mass kg	Temperature
	d	H	J	A2	A1	A	N	L	U	B	t1			
KFL 08	8	48	37	4,5	4,0	8,5	4,8	27	12,0	11,5	3,5	M 4	0,08	-10°C to +80°C
KFL 000	10	60	45	5,5	5,5	11,5	7	36	15,5	15,0	5,0	M 6	0,10	-10°C to +80°C
KFL 001	12	63	48	5,5	5,5	11,5	7	38	15,5	15,0	5,0	M 6	0,10	-10°C to +80°C
KFL 002	15	67	53	6,5	6,5	13,0	7	42	17,5	16,5	5,5	M 6	0,10	-10°C to +80°C
KFL 003	17	71	56	7,0	7,0	14,0	7	46	18,5	17,5	6,0	M 6	0,20	-10°C to +80°C
KFL 004	20	90	71	8,0	8,0	16,0	10	55	22,0	21,0	7,0	M 8	0,20	-10°C to +80°C
KFL 005	25	95	75	8,0	8,0	16,0	10	60	23,5	22,5	7,0	M 8	0,20	-10°C to +80°C
KFL 006	30	112	85	9,0	9,0	18,0	13	70	26,0	24,5	7,5	M 10	0,30	-10°C to +80°C
KFL 007	35	122	95	10,0	10,0	20,0	13	80	31,5	29,5	8,0	M 10	0,30	-10°C to +80°C