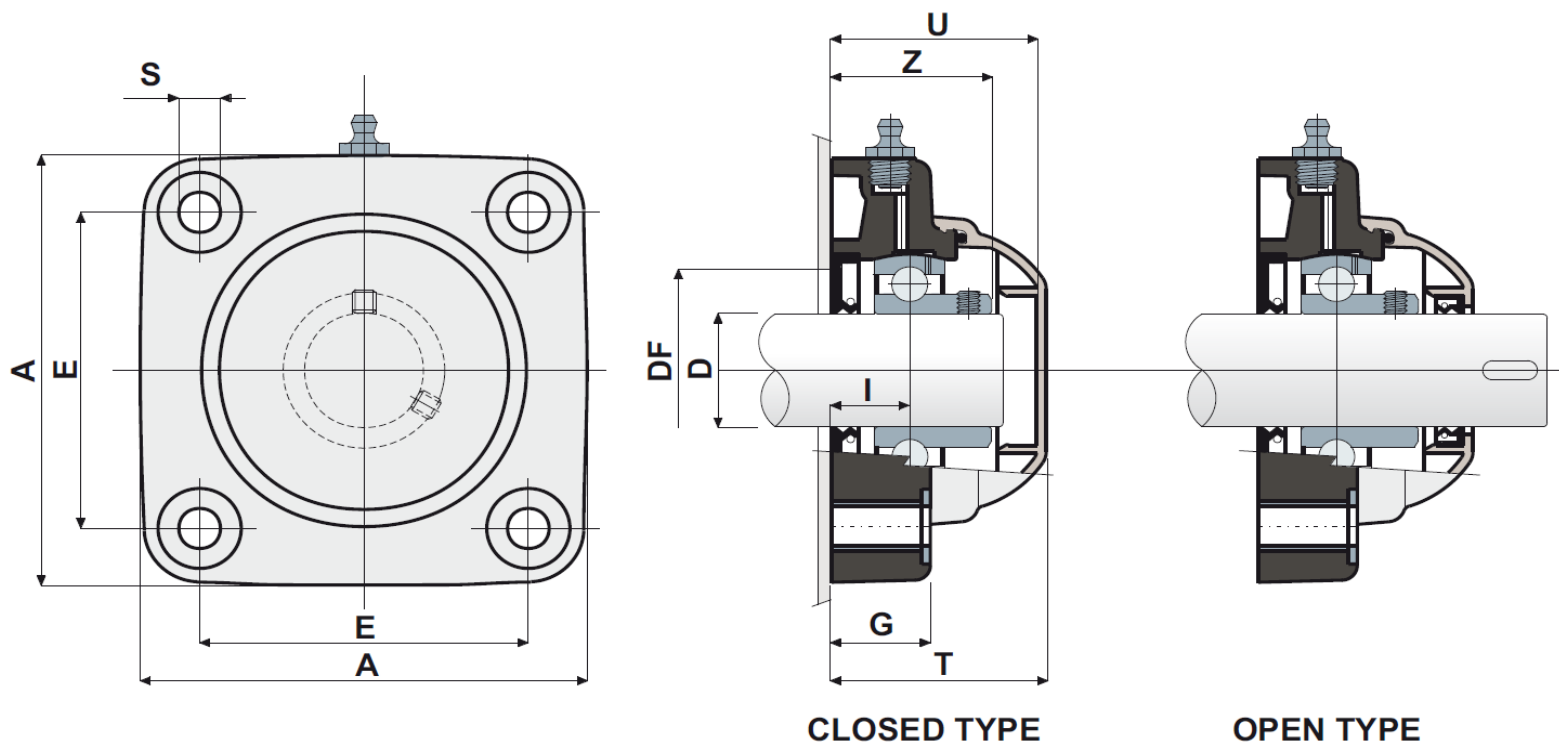




WP-SBF 200 Series

Flanged square bearing units, waterproof with covers, zinc plated bearings with food grease.



Product No.		Dimensions (mm)									DF		Bearing Load		Bearing Support
Closed Type	Open Type	D	E	A	S	G	I	Z	U	T	Max	Min	C	C0	Load (N)
WP-SBF 204	WP-SBF 204 OP	20	63,5	90	10,5	19	15,5	33,5	44	46,5	45	40	12800	6600	16500
WP-SBF 205	WP-SBF 205 OP	25	70	99	10,5	22	17	36	47	49	50	45	14000	7800	17000
WP-SBF 206	WP-SBF 206 OP	30	83	113	10,5	26	20	41	54	56	60	50	19500	11300	17500
WP-SBF 207	WP-SBF 207 OP	35	92	122	10,5	26	20	45	57	59	70	55	25500	15300	18000
WP-SBF 208	WP-SBF 208 OP	40	102	133	10,5	26	19,5	48,5	65	68	78	65	32500	19800	18000



WP-SBF 200 Series

Flanged square bearing units, waterproof with covers, zinc plated bearings with food grease.



- 1) Support body made out of polyamide reinforced with glass fibers (PA).
- 2) Back gasket made out of NBR rubber for turning shaft seal.
- 3) Zinc plated bearing, lubricated with FDA approved food grease.
- 4) Spacer for fixing reinforcement made out of stainless steel AISI 304.
- 5) UNI 6592 support washer made out of stainless steel AISI 304.
- 6) Protection cover made out of polypropylene (PP), colour grey. Other colours are available with a minimum order quantity of 500 pcs.
- 7) Front gasket made out of NBR rubber for turning shaft seal.
- 8) OR gasket made out of NBR rubber
- 9) Grease nipple for relubrication made out of nickel-plated brass.

Maximum operating temperature 120°C

Maximum shaft alignment error 2,5°

Support dimensions respect ISO 3228 set of rules

