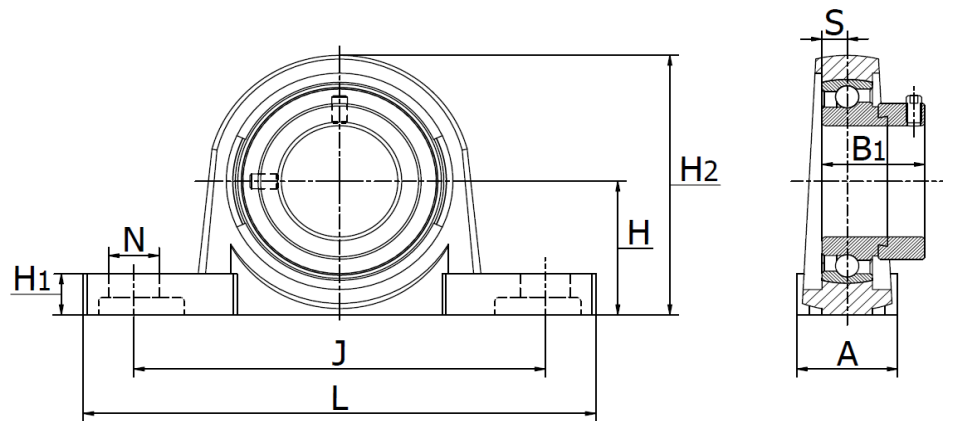




UP 000 - Pillow Block Housing Series

Silver Series, rustproof zinc aluminium housing, high carbon chromium bearings, eccentric locking collar.



Shaft Ø (mm)	Unit No.	Dimensions (mm)										Mounting bolt size	Weight (g)	Basic load rating (N)	
		H	L	J	A	N	H ₁	H ₂	B ₁	S	C ₁			Cr	Cor
8	UP08	15	55	42	13	4,8	5	29	15,0	3,5	-	M 4	47	3350	1670
10	UP000	18	67	53	16	7,0	6	35	17,5	4,0	2	M 6	77	4600	2000
12	UP001	19	71	56	16	7,0	6	38	17,5	4,0	2	M 6	91	5100	2400
15	UP002	22	80	63	16	7,0	7	43	18,5	4,5	2	M 6	125	5600	2800
17	UP003	24	85	67	18	7,0	7	47	20,5	5,0	2	M 6	156	6000	3300
20	UP004	28	100	80	20	10,0	9	55	24,5	6,0	3	M 8	230	9350	5100
25	UP005	32	112	90	20	10,0	10	62	25,5	6,0	3	M 8	294	10100	5800
30	UP006	36	132	106	26	13,0	11	70	26,5	6,5	4	M 10	454	13200	8300