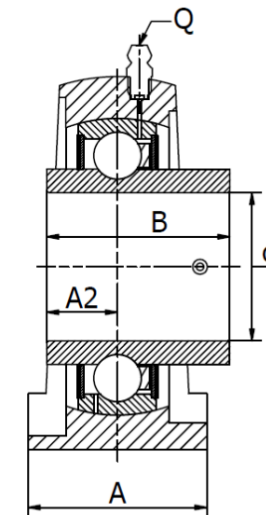
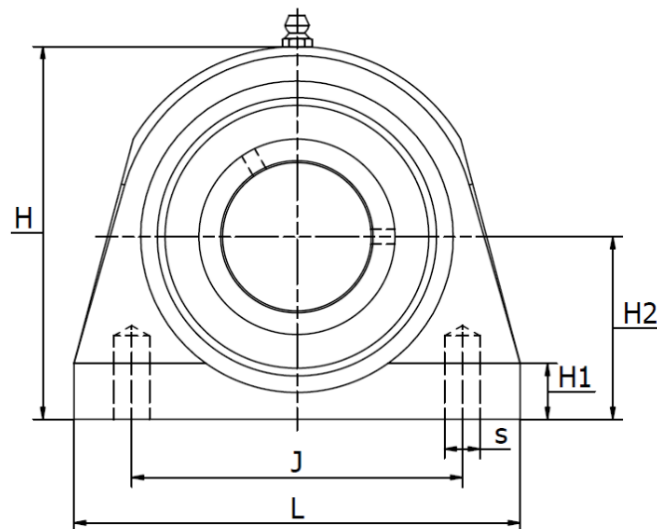




SWG .. U PPSS Series (TBL / RSHEY..-TV-VA)

Thermoplastic pillow block housings with slot for cover, stainless steel bearing with set screw locking.



Product No.	d mm	Dimensions (mm)										Bearing No.	Housing No.	Optional covers		Weight (kg)
		H2	A	H	J	L	H1	A2	B	Q	s			Closed	Open	
SWG 20 U PPSS	20	33,3	34,5	66,0	50,8	72,8	13,0	12,7	31,0	M6 - 90°	M8	UC 204 SS	TBL204	EC204	EC204 OP	0,29
SWG 25 U PPSS	25	36,5	39,5	73,5	50,8	76,2	13,0	14,3	34,1	M6 - 45°	M10	UC 205 SS	TBL205	EC205	EC205 OP	0,36
SWG 30 U PPSS	30	42,9	42,0	84,0	76,2	101,0	16,0	15,9	38,1	M6 - 90°	M10	UC 206 SS	TBL206	EC206	EC206 OP	0,55
SWG 35 U PPSS	35	47,6	47,0	95,0	82,6	110,5	18,5	17,5	42,9	M6 - 90°	M10	UC 207 SS	TBL207	EC207	EC207 OP	0,79
SWG 40 U PPSS	40	49,2	48,0	100,5	88,9	120,0	20,0	19,0	49,2	M6 - 90°	M12	UC 208 SS	TBL208	EC208	EC208 OP	0,97
SWG 45 U PPSS	45	54,0	49,5	108,5	95,3	124,0	20,0	19,0	49,2	M6 - 90°	M12	UC 209 SS	TBL209	EC209	EC209 OP	1,09
SWG 50 U PPSS	50	57,2	53,0	115,0	101,6	136,0	21,0	19,0	51,6	M6 - 90°	M16	UC 210 SS	TBL210	EC210	EC210 OP	1,26

Housing:

Material: PBT (polybutylene terephthalate), solid base.
 Operating temperatures: -20°C to +120°C
 Grease nipple: AISI 304 Stainless
 Grease: Mobil FM222

Bearing Inserts:

Inner & outer races, balls: AISI 420-440 Stainless
 Cage: AISI 302 Stainless
 Seals: Rubber & AISI 302 Stainless
 Set screws: AISI 420 Stainless

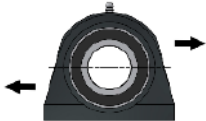
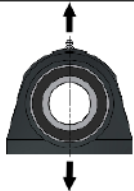
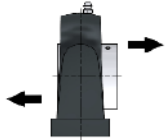
Available with different types of bearings and materials on request.

See next page for breaking load



SWG .. U PPSS Series (TBL / RSHEY..-TV-VA)

Thermoplastic pillow block housings with slot for cover, stainless steel bearing with set screw locking.

Breaking Point Test (kgs)							
Mode of load	204	205	206	207	208	209	210
	8210	8540	10370	12150	12230	12900	13850
	6900	7010	6580	8080	9100	10400	11050
	2980	2850	4950	8160	9800	10710	11360