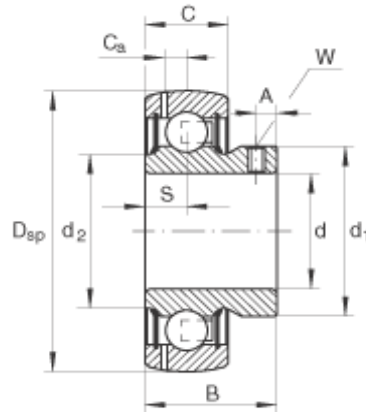
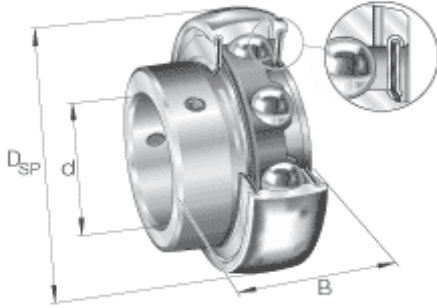




SB 200 SS Series

Stainless steel, location by set screws, operating temperature range -30°C to +110°C, universal regreaseable acc. to common european and japanese standards, FDA & NSF.



Product No.	Dimensions (mm)										Weight (kg)	Basic radial load ratings	
	d	D _{SP}	B	A	C	C _a	d ₁	d ₂	S	W		Dynamic C _r	Static C _{0r}
SB 201 SS	12	40	22,0	4,0	12	3,4	23,9	22,9	6,0	2,5	0,10	8.100	4.150
SB 202 SS	15	40	22,0	4,0	12	3,4	23,9	22,9	6,0	2,5	0,09	8.100	4.150
SB 203 SS	17	40	22,0	4,0	12	3,4	23,9	22,9	6,0	2,5	0,08	8.100	4.150
SB 204 SS	20	47	25,0	4,5	14	4,0	28,3	26,7	7,0	3,0	0,13	10.900	5.700
SB 205 SS	25	52	27,0	5,0	15	3,9	33,5	30,4	7,5	3,0	0,16	11.800	6.950
SB 206 SS	30	62	30,0	5,8	18	4,7	39,4	37,3	9,0	3,0	0,26	16.500	10.900
SB 207 SS	35	72	35,0	6,0	19	5,6	46,9	44,5	9,5	4,0	0,41	21.500	14.900
SB 208 SS	40	80	39,5	8,0	21	6,4	52,4	49,3	10,5	4,0	0,53	27.100	19.500
SB 209 SS	45	85	41,5	8,0	22	6,4	57,0	54,3	11,0	4,0	0,60	27.700	20.100
SB 210 SS	50	90	43,0	9,0	22	6,9	62,0	59,3	11,0	4,0	0,67	29.600	23.100
SB 212 SS	60	110	47,0	10,0	24	7,2	76,0	73,6	13,0	5,0	1,17	43.900	36.000

Materials:

Inner & Outer Races: AISI 440C Stainless

Cage: AISI 302 Stainless

Balls: AISI 440C Stainless

Seals: Rubber & AISI 302 Stainless

Set Screws: AISI 420 Stainless

Grease Nipple: AISI 304

Grease: Mobil FM 222 Food Grade FDA & NSF approved