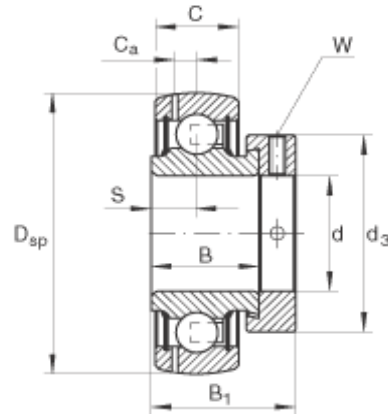
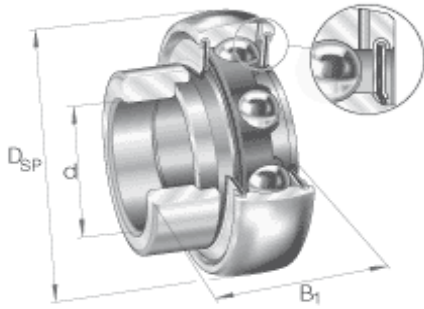




SA 200 SS Series

Stainless steel, eccentric collar lock, operating temperature range -30°C to +110°C. FDA & NSF approved grease.



Product no.	Dimensions (mm)									Weight (kg)	Basic load rating (N)	
	d	D _{sp}	B ₁	B	C	C _a	d ₃	S	W		Dynamic (C _r)	Static (C _{0r})
SA 201 SS	12	40	28,6	19,0	12	3,4	28,0	6,5	3,0	0,13	8.400	4.750
SA 202 SS	15	40	28,6	19,0	12	3,4	28,0	6,5	3,0	0,11	8.400	4.750
SA 203 SS	17	40	28,6	19,0	12	3,4	28,0	6,5	3,0	0,10	8.400	4.750
SA 204 SS	20	47	31,0	21,4	14	4,0	33,0	7,5	3,0	0,16	10.900	6.600
SA 205 SS	25	52	31,0	21,4	15	3,9	37,5	7,5	3,0	0,19	12.000	7.800
SA 206 SS	30	62	35,8	23,8	18	4,7	44,0	9,0	4,0	0,32	16.700	11.300
SA 207 SS	35	72	39,0	25,4	19	5,6	51,0	9,5	5,0	0,47	21.800	15.300
SA 208 SS	40	80	43,8	30,2	21	6,4	58,0	11,0	5,0	0,62	27.800	19.800
SA 209 SS	45	85	43,8	30,2	22	6,4	63,0	11,0	5,0	0,70	27.800	20.400
SA 210 SS	50	90	43,8	30,2	22	6,9	69,0	11,0	5,0	0,77	29.900	23.200
SA 211 SS	55	100	48,4	32,5	25	7,0	76,0	12,0	5,0	1,06	37.200	29.000
SA 212 SS	60	110	53,1	37,1	24	7,2	84,0	13,5	5,0	1,40	44.400	36.000

Materials:

Inner & Outer Races: AISI 440C Stainless

Cage: AISI 302 Stainless

Balls: AISI 440C Stainless

Seals: Rubber & AISI 302 Stainless

Set Screws: AISI 420 Stainless

Grease Nipple: AISI 304

Grease: Mobil FM 222 Food Grade FDA & NSF approved