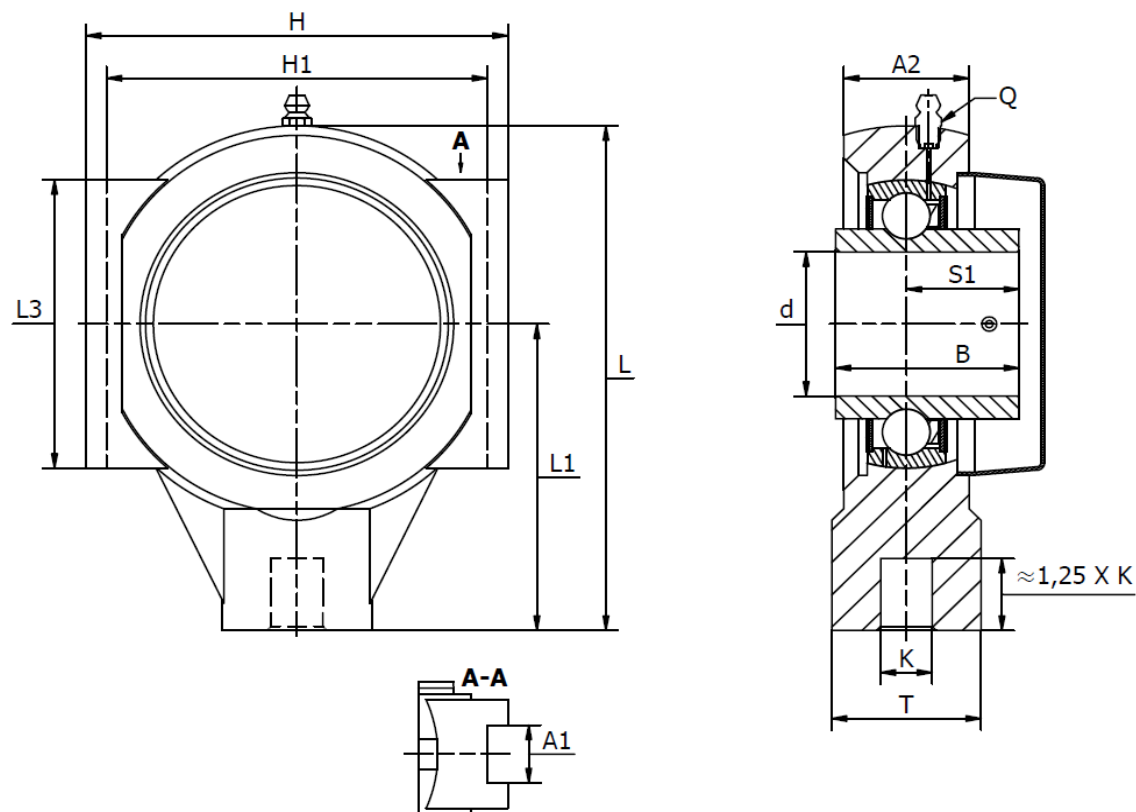




## Take-up housing units RTUEY..-TV-VA (TPL ... SS)

Thermoplastic housing, stainless steel radial insert ball bearing with grub screws in inner ring. Operating temperatures of the housing from -20 to +120 °C



Part No.	Dimensions (mm)													Mass (kg)	Radial load carrying capacity of housing	Housing	Bearing
	d	L	H	A <sub>1</sub>	A <sub>2</sub>	B	H <sub>1</sub>	K	L <sub>1</sub>	L <sub>3</sub>	Q	S <sub>1</sub>	T				
RTUEY20-TV-VA	20	99	89	12	27,5	31	76	M16	64	47	M6	18,3	36	0,39	9600 N	TPL 204	UC 204 SS
RTUEY25-TV-VA	25	99	89	12	27,5	34,1	76	M16	64	47	M6	19,8	36	0,42	10000 N	TPL 205	UC 205 SS
RTUEY30-TV-VA	30	125	102,5	12	34,5	38,1	89	M16	76	63	M6	22,2	40	0,69	10200 N	TPL 206	UC 206 SS
RTUEY35-TV-VA	35	125	102,5	12	34,5	42,9	89	M16	76	63	M6	25,4	40	0,81	10700 N	TPL 207	UC 207 SS
RTUEY40-TV-VA	40	140	113	16	33,5	49,2	102	M16	85	80	M6	30,2	40	1,04	11200 N	TPL 208	UC 208 SS
RTUEY45-TV-VA	45	149	117	16	40	49,2	102	M20	90	85	M6	30,2	50	1,16	11800 N	TPL 209	UC 209 SS
RTUEY50-TV-VA	50	149	117	16	40	51,6	102	M20	90	85	M6	32,6	50	1,32	12200 N	TPL 210	UC 210 SS