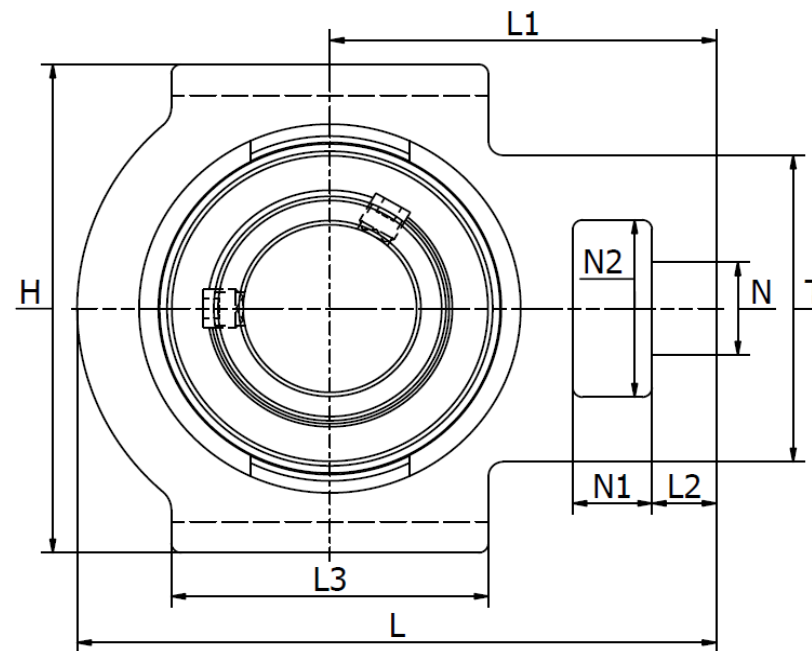
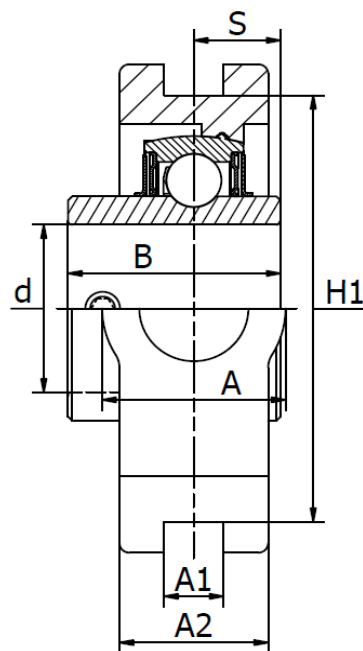




## WS 200 U - Take-up housing

Set screw locking, wide slot. Temperature range -30°C to +110°C



Product No.	d mm	Dimensions (mm)															Bearing no.	Housing no.	Weight (kg)
		L	A <sub>2</sub>	S	H	H <sub>1</sub>	L <sub>3</sub>	L <sub>2</sub>	L <sub>1</sub>	N	B	N <sub>1</sub>	N <sub>2</sub>	T	A	A <sub>1</sub>			
<b>WS 204 U *</b>	20	97	25	12,7	92	76,0	54,0	10	62,0	19	31,0	16	32,0	54	34	13,5	UC 204	WS 204	0,7
<b>WS 205 U *</b>	25	100	25	14,3	91	76,0	52,0	10	64,0	19	34,0	16	33,0	53	34	13,5	UC 205	WS 205	1,0
<b>WS 206 U</b>	30	114	28	15,9	104	89,0	57,0	10	70,0	22	38,1	16	37,0	56	37	13,5	UC 206	WS 206	1,6
<b>WS 207 U</b>	35	129	30	17,5	103	89,0	64,0	12	78,0	22	42,9	17	38,0	64	37	13,5	UC 207	WS 207	2,0
<b>WS 208 U</b>	40	145	33	19,0	115	101,0	83,0	15	88,0	29	49,2	19	50,0	83	49	17,5	UC 208	WS 208	2,7
<b>WS 209 U</b>	45	144	35	19,0	117	101,0	83,0	15	87,0	29	49,2	19	49,0	83	49	17,5	UC 209	WS 209	2,9
<b>WS 210 U</b>	50	149	36	19,0	117	101,0	86,0	16	90,0	29	51,6	19	49,0	83	49	17,5	UC 210	WS 210	3,2
<b>WS 211 U *</b>	55	171	41	22,2	146	130,0	95,0	19	106,0	35	55,6	25	64,0	102	64	27,0	UC 211	WS 211	4,2
<b>WS 212 U *</b>	60	194	46	25,4	146	130,0	102,0	19	119,0	35	65,1	32	64,0	102	64	27,0	UC 212	WS 212	5,9