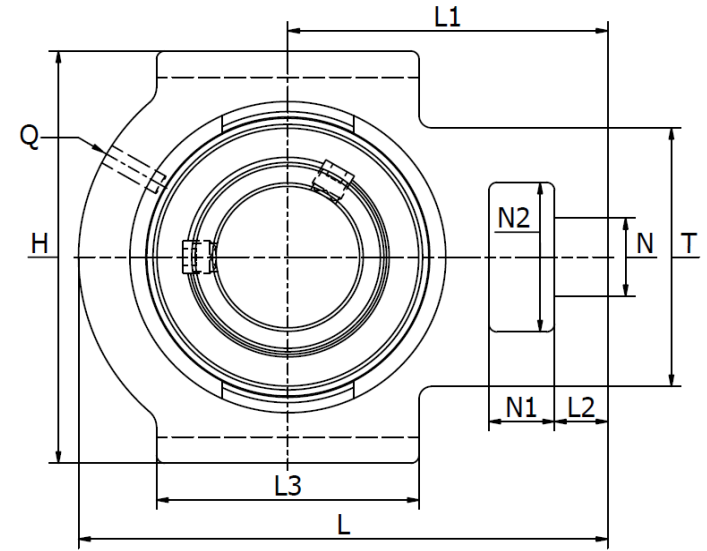
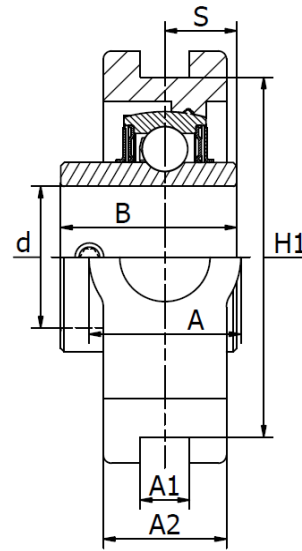




# UCT 200 Series (TU/TUJ .. TF)

Set Screw Locking. Temperature range -30°C to +110°C



Product No.	d mm	Dimensions (mm)											Bearing No.	Housing No.	Weight (kg)				
		N <sub>1</sub>	L <sub>2</sub>	T	N <sub>2</sub>	N	L <sub>3</sub>	A <sub>1</sub>	H <sub>1</sub>	H	L	A				A <sub>2</sub>	L <sub>1</sub>	B	S
UCT 204	20	16,0	10,0	51,0	32,0	19	51,0	12,0	76	89	94	32,0	21	61,0	31	12,7	UC 204	T 204	0,79
UCT 205	25	16,0	10,0	51,0	32,0	19	51,0	12,0	76	89	97	32,0	24	62,0	34	14,3	UC 205	T 205	0,88
UCT 206	30	16,0	10,0	56,0	37,0	22	57,0	12,0	89	102	113	37,0	28	70,0	38,1	15,9	UC 206	T 206	1,30
UCT 207	35	16,0	13,0	64,0	37,0	22	64,0	12,0	89	102	129	37,0	30	78,0	42,9	17,5	UC 207	T 207	1,70
UCT 207 / 13,5	35	16,0	13,0	64,0	37,0	22	64,0	13,5	89	102	129	37,0	30	78,0	42,9	17,5	UC 207	WS 207	1,70
UCT 208	40	19,0	16,0	83,0	49,0	29	83,0	16,0	102	114	144	49,0	33	88,0	49,2	19,0	UC 208	T 208	2,50
UCT 208 / 17,5	40	19,0	16,0	83,0	49,0	29	83,0	17,5	101	114	144	49,0	33	88,0	49,2	19,0	UC 208	WS 208	2,50
UCT 209	45	19,0	16,0	83,0	49,0	29	83,0	16,0	102	117	144	49,0	35	87,0	49,2	19,0	UC 209	T 209	2,50
UCT 209 / 17,5	45	19,0	16,0	83,0	49,0	29	83,0	17,5	101	117	144	49,0	35	87,0	49,2	19,0	UC 209	WS 209	2,50
UCT 210	50	19,0	16,0	83,0	49,0	29	86,0	16,0	102	117	149	49,0	37	90,0	51,6	19,0	UC 210	T 210	2,60
UCT 210 / 17,5	50	20,5	15,5	82,5	49,5	29	81,5	17,5	101	118	149	49,5	37	90,5	51,6	19,0	UC 210	WS 210	2,60
UCT 211	55	25,0	19,0	102,0	64,0	35	95,0	22,0	130	146	171	64,0	38	106,0	55,6	22,2	UC 211	T 211	4,00
UCT 211 / 27	55	25,0	19,0	102,0	64,0	35	95,0	27,0	130	146	171	64,0	38	106,0	55,6	22,2	UC 211	WS 211	4,00
UCT 212	60	32,0	19,0	102,0	64,0	35	102,0	22,0	130	146	194	64,0	42	119,0	65,1	25,4	UC 212	T 212	4,90
UCT 213	65	32,0	21,0	111,0	70,0	41	121,0	26,0	151	167	224	70,0	44	137,0	65,1	25,4	UC 213	T 213	7,00
UCT 214	70	32,0	21,0	111,0	70,0	41	121,0	26,0	151	167	224	70,0	46	137,0	74,6	30,2	UC 214	T 214	7,10
UCT 215	75	32,0	21,0	111,0	70,0	41	121,0	26,0	151	167	232	70,0	48	140,0	77,8	33,3	UC 215	T 215	7,50
UCT 216	80	32,0	21,0	111,0	70,0	41	121,0	26,0	165	184	235	70,0	51	140,0	82,6	33,3	UC 216	T 216	8,20
UCT 217	85	38,0	29,0	124,0	73,0	48	157,0	30,0	173	198	260	73,0	54	162,0	85,7	34,1	UC 217	T 217	11,00