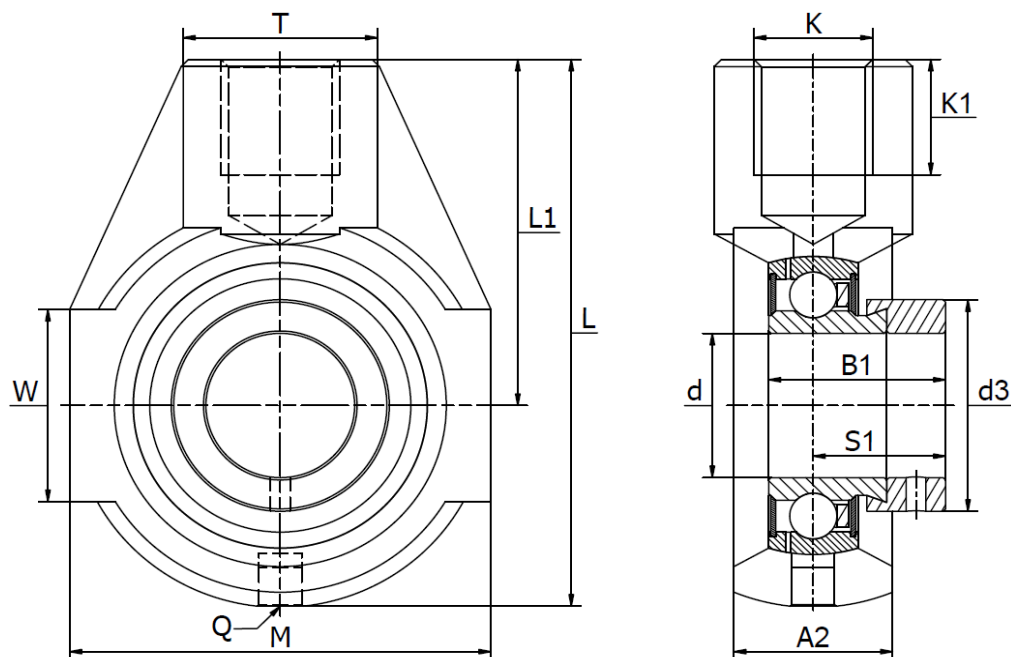




SPK .. series (PHE)

Normal Duty, Eccentric Collar Lock. Temperature range -30°C to +110°C



Product No.	d (mm)	Dimensions (mm)											Bearing No.	Weight (kg)	
		L	M	A ₂	B ₁	d _{3 max}	K	K ₁	L ₁	Q	S ₁	T			W
SPK 20	20	91	65	25	31,0	33,0	M16	21	58	Rp1/8	23,5	30	38	SA 204	0,54
SPK 25	25	99	70	28	31,0	37,5	M20	22	64	Rp1/8	23,5	35	38	SA 205	0,71
SPK 30	30	114	85	32	35,7	44,0	M24	24	72	Rp1/8	26,7	40	40	SA 206	1,09
SPK 35	35	122	90	32	38,9	51,0	M24	24	76	Rp1/8	29,4	40	49	SA 207	1,32
SPK 40	40	135	100	36	43,7	58,0	M24	24	85	Rp1/8	32,7	40	45	SA 208	1,65
SPK 45	45	145	110	40	42,7	63,0	M24	24	90	Rp1/8	32,7	40	45	SA 209	1,89
SPK 50	50	145	110	40	43,7	69,0	M24	24	90	Rp1/8	32,7	40	46	SA 210	1,92
SPK 60	60	175	143	42	53,1	84,0	M24	24	104	Rp1/8	39,6	61	51	SA 212	3,83