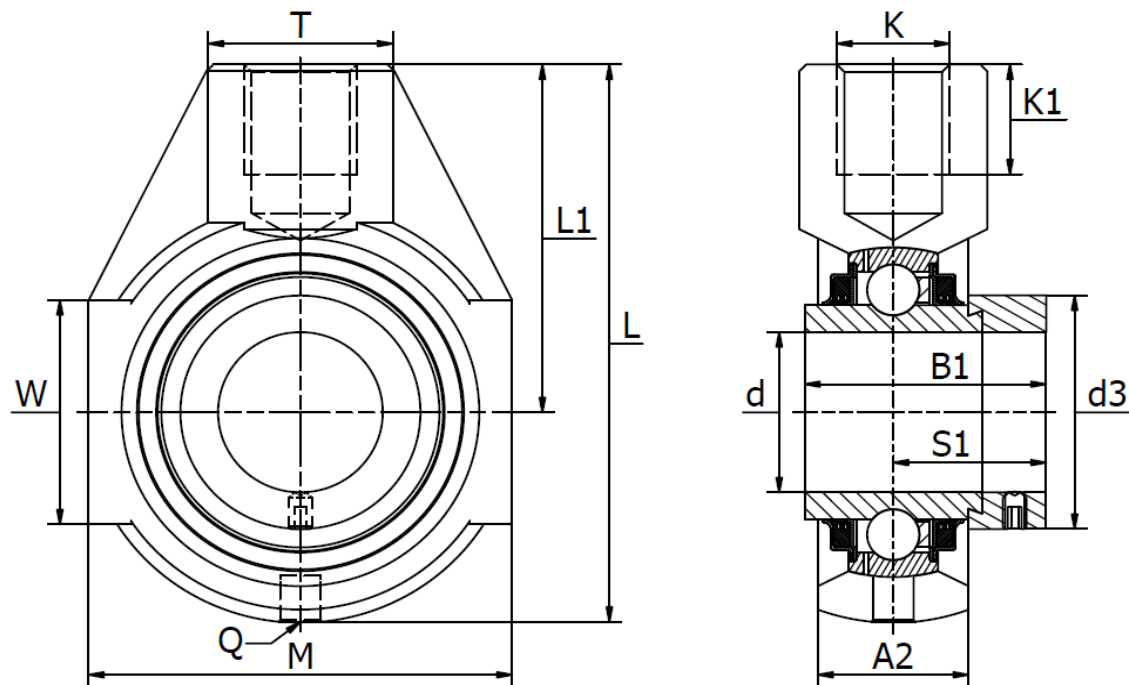




SPK .. T series (THE)

Normal Duty, Eccentric Collar Lock, with R3 seals. Temperature range -30°C to +110°C



Product No.	d mm	Dimensions (mm)											Bearing No.	Weight (kg)	
		L	M	A ₂	B ₁	d _{3 max}	K	K ₁	L ₁	Q	S ₁	T			W
SPK 20 T	20	91	65	25	43,7	33,0	M16	21	58	Rp1/8	26,6	30	38	HC 204 R3	0,54
SPK 25 T	25	99	70	28	44,4	37,5	M20	22	64	Rp1/8	26,9	35	38	HC 205 R3	0,71
SPK 30 T	30	114	85	32	48,4	44,0	M24	24	72	Rp1/8	30,1	40	40	HC 206 R3	1,09
SPK 35 T	35	122	90	32	51,1	51,0	M24	24	76	Rp1/8	32,3	40	49	HC 207 R3	1,32
SPK 40 T	40	135	100	36	56,3	58,0	M24	24	85	Rp1/8	34,9	40	45	HC 208 R3	1,65
SPK 45 T	45	145	110	40	56,3	63,0	M24	24	90	Rp1/8	34,9	40	45	HC 209 R3	1,89
SPK 50 T	50	145	110	40	62,7	69,0	M24	24	90	Rp1/8	38,1	40	46	HC 210 R3	1,92
SPK 60 T	60	175	143	42	77,8	84,0	M24	24	104	Rp1/8	46,8	61	51	HC 212 R3	4,15