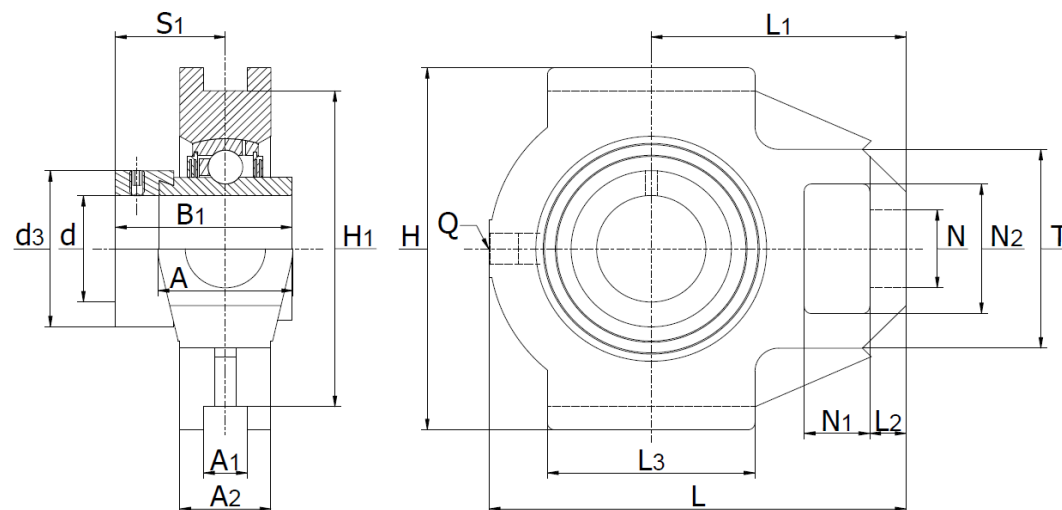




SKL ... T (TTUE ...)

cast iron housing, radial insert ball bearing with eccentric locking collar, R3 seals



Part No.	d		Dimensions (mm)																	Bearing No.	Weight (kg)
	mm		L	H	A	A ₁	A ₂	B ₁	d _{3max}	H ₁	L ₁	L ₂	L ₃	N	N ₁	N ₂	Q	S ₁	T		
SKL 25 T	25		98,5	90	37	12	25	44,4	37,5	76	62	10	50	19	18	32,0	M6	26,9	51	HC 205 R3	0,91
SKL 30 T	30		114,5	102	37	12	25	48,4	44,0	89	70	10	57	22	18	36,5	M6	30,1	56	HC 206 R3	1,24
SKL 35 T	35		131,5	102	40	12	30	51,5	51,0	89	80	13	63	22	18	36,5	M6	32,3	64	HC 207 R3	1,80
SKL 40 T	40		141,0	115	50	16	35	56,3	60,3	102	88	16	82	29	20	49,0	M6	34,9	82	HC 208 R3	2,52
SKL 45 T	45		141,0	115	50	16	35	56,3	63,0	102	88	16	82	29	20	49,0	M6	34,9	82	HC 209 R3	2,61
SKL 50 T	50		148,0	115	50	16	35	62,7	69,0	102	90	16	85	29	20	49,0	M6	38,1	83	HC 210 R3	2,65
SKL 55 T	55		169,0	145	60	22	42	71,4	76,0	130	104	17	95	35	26	63,5	M6	43,6	102	HC 211 R3	4,60
SKL 60 T	60		186,0	146	60	22	44	77,8	84,0	130	118	19	100	35	32	63,5	M6	46,8	102	HC 212 R3	4,84
SKL 70 T	70		214,0	166	70	25	50	66,1	96,0	151	135	20	120	41	35	70,0	M6	44,6	110	HC 214 R3	7,20
SKL 75 T	75		214,0	166	70	25	50	67,1	100,0	151	135	20	120	41	35	70,0	M6	45,6	110	HC 215 R3	7,05
SKL 80 T	80		230,0	184	70	28	50	71,0	108,0	165	140	20	120	41	35	70,0	M6	47,6	110	HC 216 R3	8,40