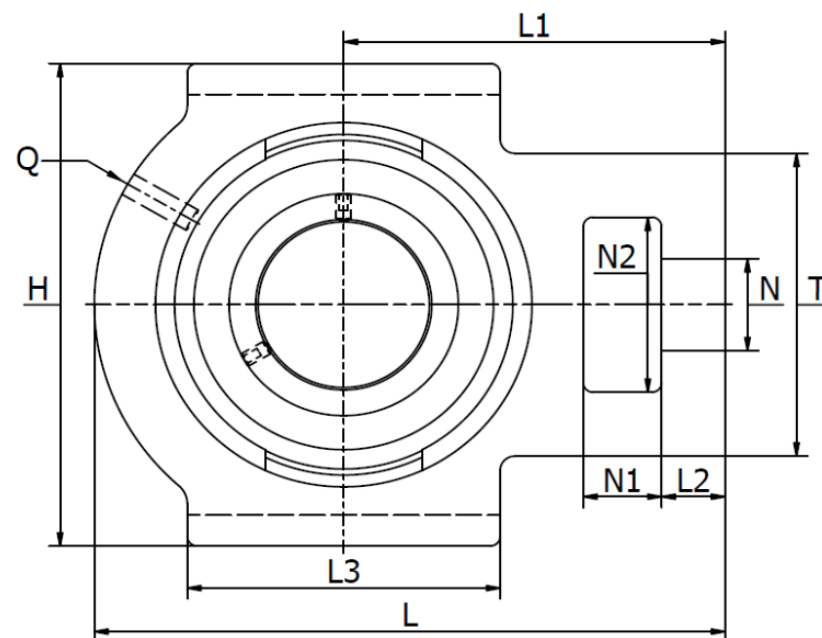
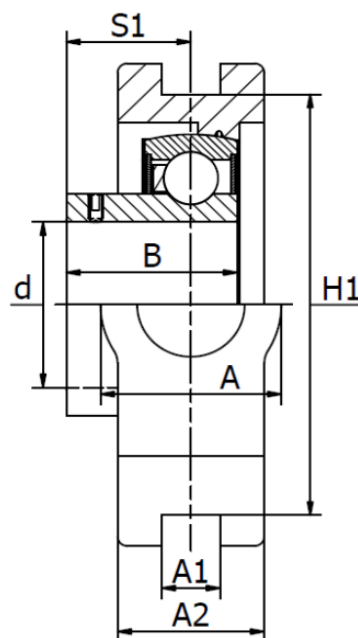




SKL .. S (PTUEY) Take-up housing units

Cast iron housing, radial insert ball bearing with grub screws in inner ring. Temperature range -30°C to +110°C



Product No.	Dimensions (mm)																	Bearing No.	Weight (kg)
	d	L	H	A	A ₁	A ₂	B	H ₁	L ₁	L ₂	L ₃	N	N ₁	N ₂	Q	S ₁	T		
SKL 20 S - PTUEY20	20	94	89	32	12	21	25,0	76	61	10	51	19	16	32,0	1/8"	18,0	51	SB 204	0,80
SKL 25 S - PTUEY25	25	97	89	32	12	24	27,0	76	62	10	51	19	16	32,0	1/8"	19,5	51	SB 205	0,82
SKL 30 S - PTUEY30	30	113	102	37	12	28	30,0	89	70	10	57	22	16	37,0	1/8"	21,0	56	SB 206	1,11
SKL 35 S - PTUEY35	35	129	102	37	12	30	35,0	89	78	13	64	22	16	37,0	1/8"	25,5	64	SB 207	1,64
SKL 40 S - PTUEY40	40	144	114	49	16	33	39,5	102	88	16	83	29	19	49,0	1/8"	29,0	83	SB 208	2,43
SKL 45 S - PTUEY45	45	144	117	49	16	35	41,5	102	87	16	83	29	19	49,0	1/8"	30,5	83	SB 209	2,32
SKL 50 S - PTUEY50	50	149	117	49	16	37	43,0	102	90	16	86	29	19	49,0	1/8"	32,0	83	SB 210	2,25
SKL 55 S - PTUEY55	55	169	145	60	22	42	43,5	130	104	17	95	35	26	63,5	1/8"	33,5	102	SB 211	3,99
SKL 60 S - PTUEY60	60	194	146	64	22	42	47,0	130	119	19	102	35	32	64,0	1/8"	34,0	102	SB 212	4,14