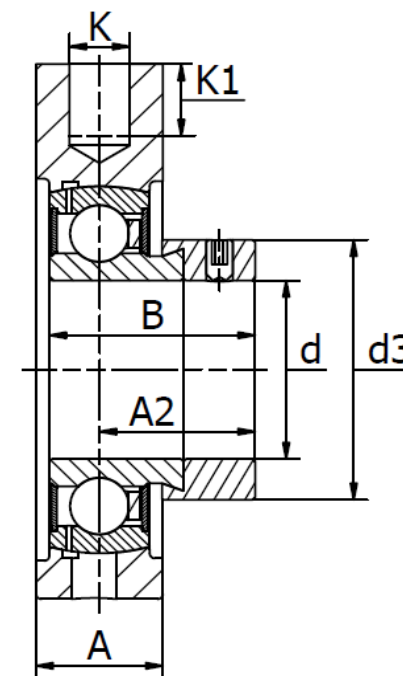
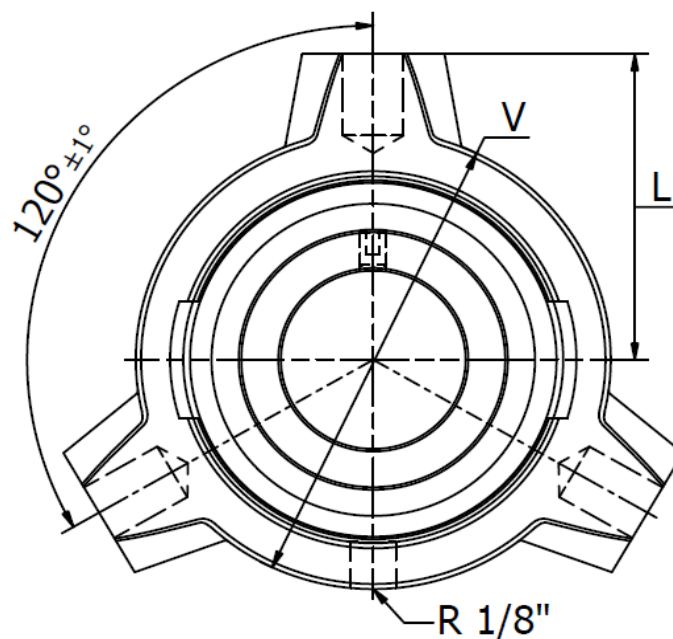




PGVE - Take-up housing units

Cast iron housing, radial insert ball bearing with eccentric locking collar. Temperature range -30°C to +110°C



Product No.	d mm	Dimensions (mm)								Radial load ratings (N)		Housing No.	Bearing No.	Weight (kg)
		L	A	K	K ₁	B	A2	d _{3max}	V	Dynamic C	Static C ₀			
PGVE 25	25	42	20	R 1/4"	8	31,0	23,5	37,5	65	14000	7800	GVE 05	SA 205	0,55
PGVE 30	30	50	22	R 1/4"	10	35,7	26,7	44,0	78	19500	11300	GVE 06	SA 206	0,68
PGVE 35	35	60	24	R 1/4"	15	38,9	29,4	51,0	90	25500	15300	GVE 07	SA 207	1,04