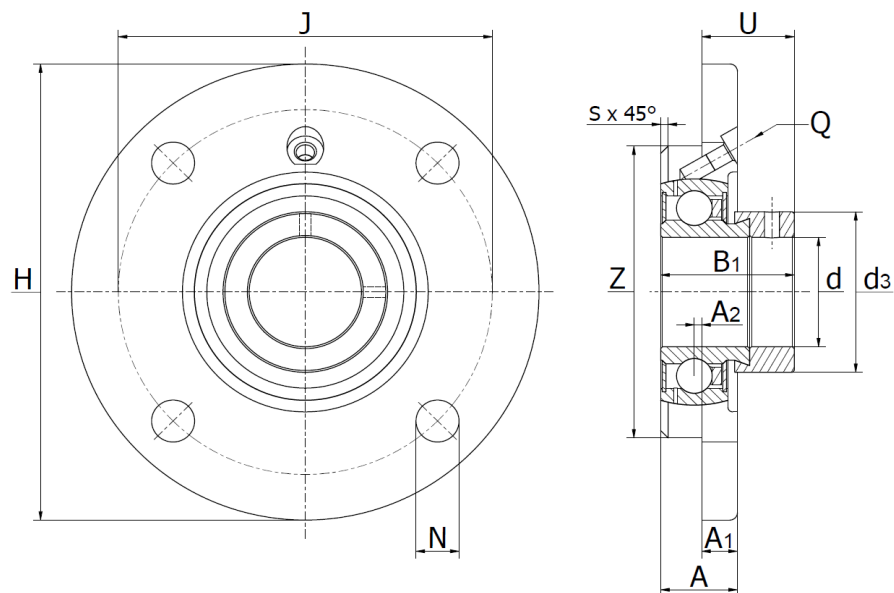




RVFW .. series (PME)
Normal Duty, Eccentric Collar Lock



Part No.	d mm	Dimensions (mm)										Bearing No.	Cover	Weight (kg)		
		H	B ₁	A	A ₁	A ₂	d _{3 max}	J	N	Q	S				U	Z
RVFW 20	20	100	31,0	17,0	8,0	2,0	33,0	78	9,0	M6	2	21,5	62	SA 204	N/A	0,53
RVFW 25	25	115	31,0	19,0	9,0	2,5	37,5	90	9,0	M6	2	21,0	70	SA 205	KASK05	0,74
RVFW 30	30	125	35,7	20,5	9,5	2,0	44,0	100	11,5	M6	2	24,7	80	SA 206	KASK06	0,97
RVFW 35	35	135	38,9	20,5	10,0	1,0	51,0	110	11,5	M6	2	28,4	90	SA 207	KASK07	1,27
RVFW 40	40	145	43,7	23,0	11,5	1,0	60,0	120	11,5	M6	2	31,7	100	SA 208	KASK08	1,62
RVFW 45	45	155	43,7	25,0	12,0	2,0	63,0	130	14,0	M6	2	30,7	105	SA 209	Cover Ø45	1,93
RVFW 50	50	165	43,7	25,0	13,0	1,0	69,0	135	14,0	M6	3	31,7	110	SA 210	KASK10	2,3
RVFW 55	55	185	48,4	27,5	15,0	0,0	76,0	150	18,0	M6	3	36,4	125	SA 211	N/A	2,76
RVFW 60	60	195	53,1	29,0	16,0	1,0	84,0	160	18,0	M6	3	38,6	135	SA 212	KASK12	3,55