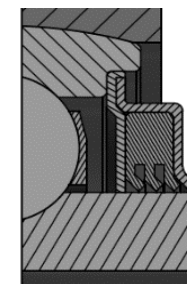
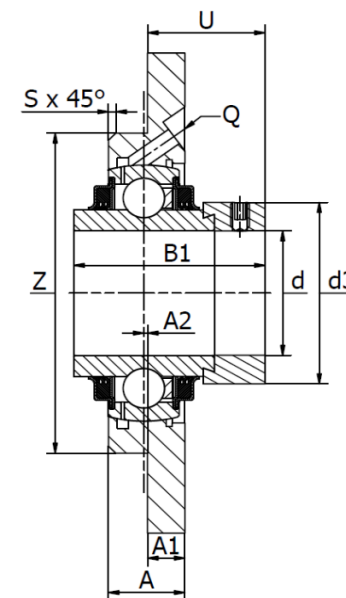
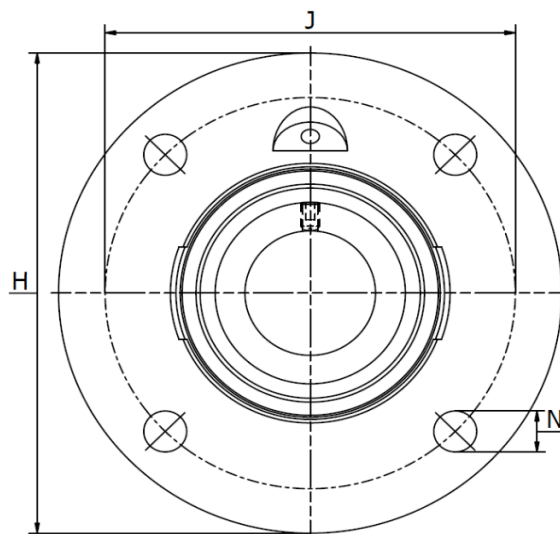




RVFW .. T series (TME)

Eccentric Collar Lock, Triple Seals. Temperature range -30°C to +110°C



Tripple-lip seal
(+Suffix-R3)

Part No.	d		Dimensions (mm)										Bearing No.	Cover	Weight (kg)	
	mm	H	B ₁	A	A ₁	A ₂	d _{3 max}	J	N	Q	S	U				Z
RVFW 20 T	20	100	43,7	17,0	8,0	2,0	33,0	78	9,0	M6	2	24,6	62	HC 204 R3	N/A	0,57
RVFW 25 T	25	115	44,4	19,0	9,0	2,5	37,5	90	9,0	M6	2	24,4	70	HC 205 R3	KASK05	0,80
RVFW 30 T	30	125	48,4	20,5	9,5	2,0	44,0	100	11,5	M6	2	28,1	80	HC 206 R3	KASK06	1,04
RVFW 35 T	35	135	51,1	20,5	10,0	1,0	51,0	110	11,5	M6	2	31,3	90	HC 207 R3	KASK07	1,34
RVFW 40 T	40	145	56,3	23,0	11,5	1,0	58,0	120	11,5	M6	2	33,9	100	HC 208 R3	KASK08	1,74
RVFW 45 T	45	155	56,3	25,0	12,0	2,0	63,0	130	14,0	M6	2	32,9	105	HC 209 R3	Cover Ø45	2,05
RVFW 50 T	50	165	62,7	25,0	13,0	1,0	69,0	135	14,0	M6	3	37,1	110	HC 210 R3	KASK10	2,53
RVFW 55 T	55	185	71,4	27,5	15,0	0,0	76,0	150	18,0	M6	3	43,6	125	HC 211 R3	N/A	3,37
RVFW 60 T	60	195	77,8	29,0	16,0	1,0	84,0	160	18,0	Rp1/8"	3	45,8	135	HC 212 R3	N/A	3,99
RVFW 65 T	65	215	66,1	32,0	18,0	6,0	96,0	177	18,0	Rp1/8"	6	44,6	150	HC 213-214 R3	N/A	5,81
RVFW 70 T	70	215	66,0	32,0	18,0	0,0	96,0	177	18,0	Rp1/8"	6	44,6	150	HC 214 R3	N/A	5,55
RVFW 75 T	75	220	67,1	32,0	18,0	0,0	100,0	184	18,0	Rp1/8"	6	45,6	160	HC 215 R3	N/A	5,65
RVFW 80 T	80	220	71,0	33,0	18,0	-2,0	108,0	184	18,0	Rp1/8"	6	49,6	160	HC 216 R3	N/A	5,75