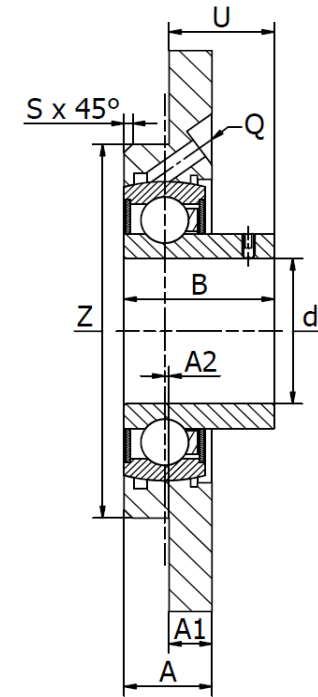
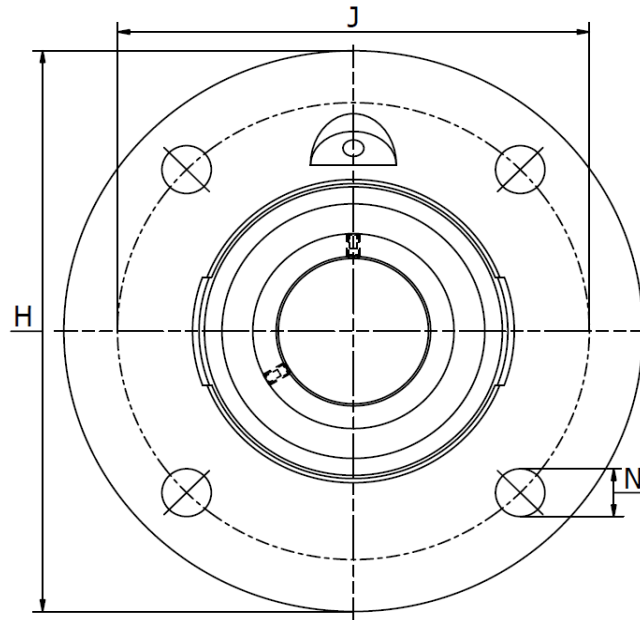




RVFW .. S series (PMEY)

Normal Duty, Set Screw Locking. Temperature range -30°C to +110°C



Part No.	d mm	Dimensions (mm)											Bearing No.	Cover	Weight (kg)	
		H	B	A	A ₁	A ₂	d _{3 max}	J	N	Q	S	U				Z
RVFW 20 S	20	100	25,0	17,0	8,0	2,0	33,0	78	9,0	M6	2	16,0	62	SB 204	KASK04	0,5
RVFW 25 S	25	115	27,0	19,0	9,0	2,5	37,5	90	9,0	M6	2	17,0	70	SB 205	KASK05	0,71
RVFW 30 S	30	125	30,0	20,5	9,5	2,0	44,0	100	11,5	M6	2	19,0	80	SB 206	KASK06	0,91
RVFW 35 S	35	135	35,0	20,5	10,0	1,0	51,0	110	11,5	M6	2	24,5	90	SB 207	KASK07	1,18
RVFW 40 S	40	145	39,5	23,0	11,5	1,0	58,0	120	11,5	M6	2	28,0	100	SB 208	KASK08	1,51
RVFW 45 S	45	155	41,5	25,0	12,0	2,0	63,0	130	14,0	M6	2	28,5	105	SB 209	Cover Ø45	1,79
RVFW 50 S	50	165	43,0	25,0	13,0	1,0	69,0	135	14,0	M6	3	31,0	110	SB 210	KASK10	2,15
RVFW 60 S	60	195	47,0	29,0	16,0	1,0	84,0	160	18,0	M6	3	33,0	135	SB 212	N/A	3,22