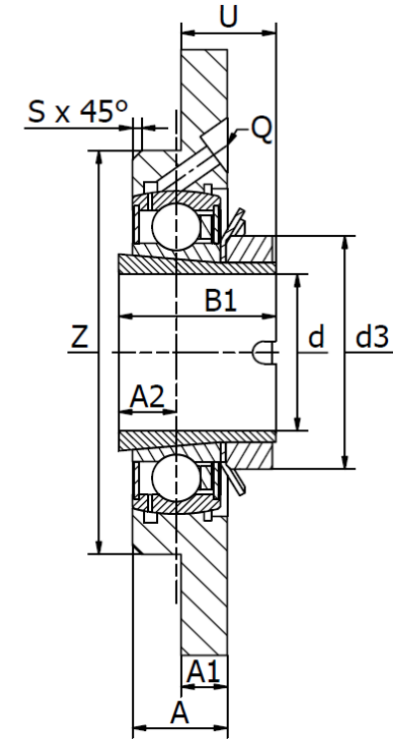
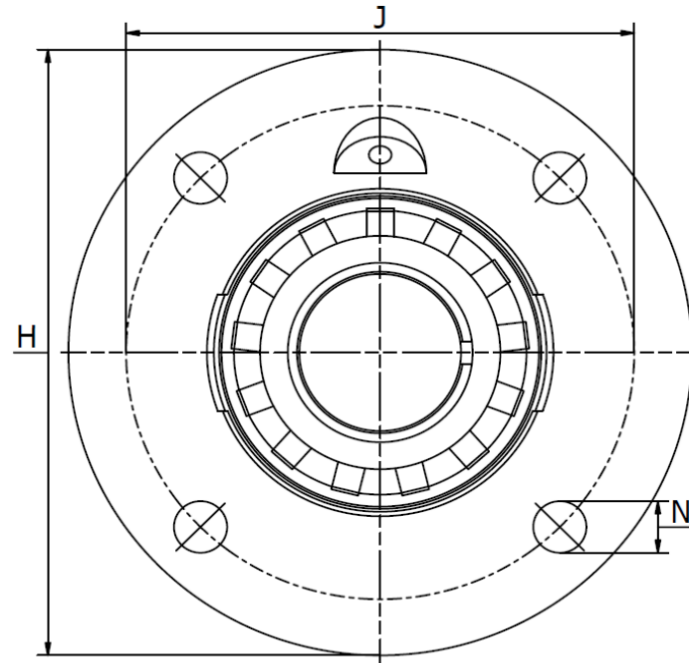
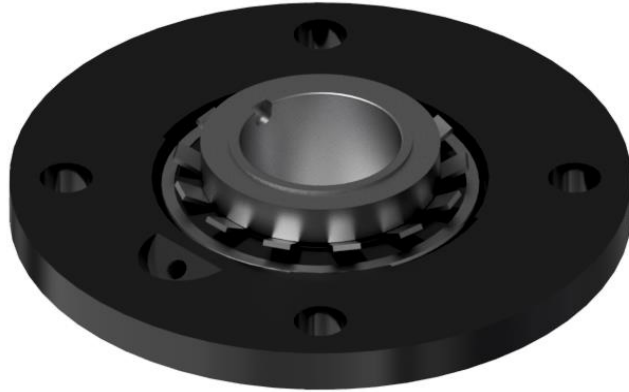




RVFW .. KG series (RMEA)

Round flange unit, adapter sleeve locking. Temperature range -30°C to +110°C



Part No.	Dimensions (mm)													Bearing No.	Cover	Weight (kg)
	d	H	B ₁	A	A ₁	A ₂	d _{3 max}	J	N	Q	S	U	Z			
RVFW 20 KG	20	100	28	17	8	7,5	32	78	9	M6	2	21,5	62	GSH 20 RRB	N/A	0,57
RVFW 25 KG	25	115	28	19	9	7,5	37,5	90	9	M6	2	21	70	GSH 25 RRB	KASK05	0,80
RVFW 30 KG	30	125	32	20,5	9,5	9	44	100	11,5	M6	2	22	80	GSH 30 RRB	KASK06	1,04
RVFW 35 KG	35	135	34	20,5	10	9,5	51	110	11,5	M6	2	24	90	GSH 35 RRB	KASK07	1,34
RVFW 40 KG	40	145	38	23	11,5	11	60,3	120	11,5	M6	2	26	100	GSH 40 RRB	KASK08	1,74
RVFW 45 KG	45	155	46	25	12	18	63	130	14	M6	2	26	105	GSH 45 RRB	Cover Ø45	2,05
RVFW 50 KG	50	165	40	25	13	11	69	135	14	M6	3	28	110	GSH 50 RRB	KASK10	2,53