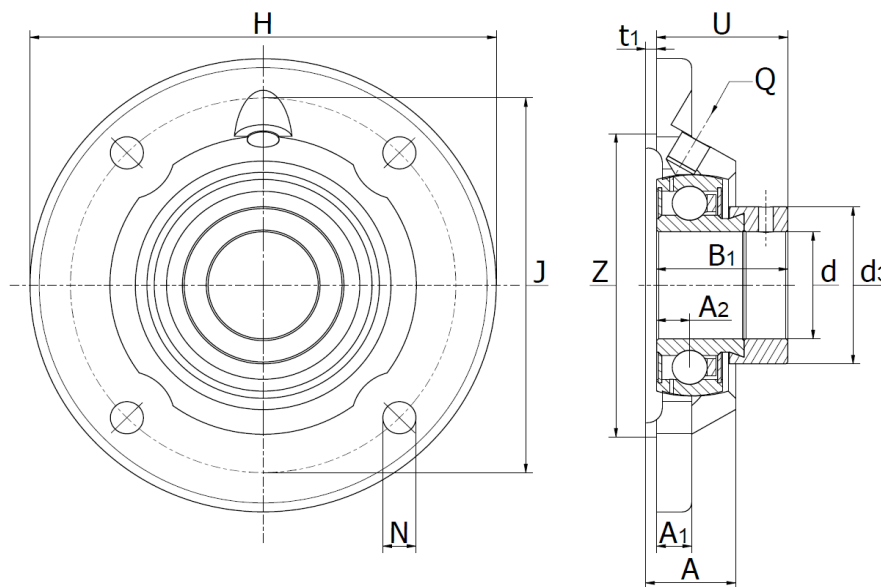




FWSN .. series (PFE)

four-bolt flanged housing units, cast iron, centring spigot, eccentric locking collar.



Part No.	d mm	Dimensions (mm)											Bearing No.	Weight (kg)	
		H	B ₁	A	A ₁	A ₂	d _{3 max}	J	N	Q	T ₁	U			Z
FWSN 25	25	115	31,0	22,0	9,0	9,5	37,5	92	9,0	Rp 1/8	3	29,9	75 h8	SA 205	0,8
FWSN 30	30	127	35,7	22,5	9,5	10,5	44,0	105	9,0	Rp 1/8	3	37,6	85 h8	SA 206	1,08
FWSN 35	35	135	38,9	22,5	10,0	9,0	51,0	110	11,5	Rp 1/8	4	38,8	90 h8	SA 207	1,3
FWSN 40	40	145	43,7	26,0	11,5	11,5	58,0	120	11,5	Rp 1/8	4	42,5	100 h8	SA 208	1,72
FWSN 45	45	155	43,7	26,5	12,0	11,5	63,0	130	14,0	Rp 1/8	4	42,5	105 h8	SA 209	2,06
FWSN 50	50	165	43,7	27,5	13,0	12,5	69,0	136	14,0	Rp 1/8	4	46,6	115 h8	SA 210	2,48
FWSN 60	60	195	53,1	33,0	16,0	17,0	84,0	165	14,0	Rp 1/8	4	52,8	140 h8	SA 212	3,99