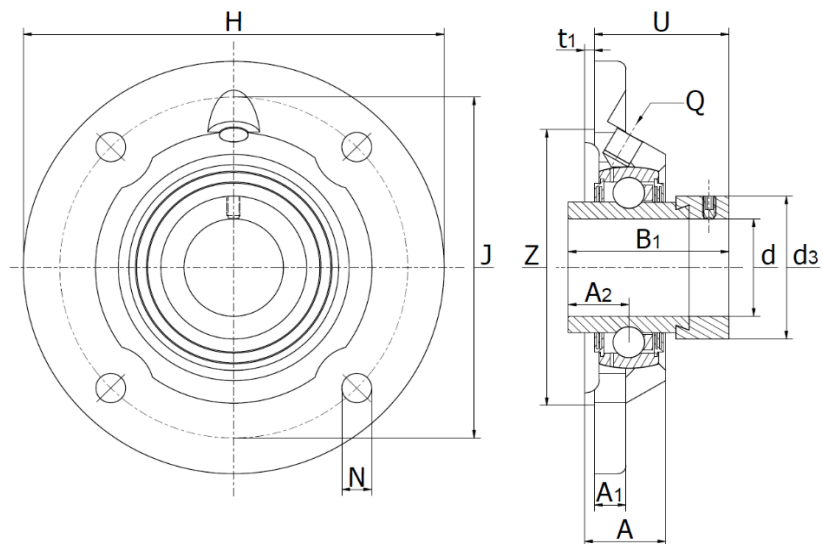




FWSN .. T series (TFE)

four-bolt flanged housing units, cast iron, centring spigot, eccentric locking collar, tripple seals.



Part No.	d mm	Dimensions (mm)											Bearing No.	Weight (kg)	
		H	B ₁	A	A ₁	A ₂	d _{3 max}	J	N	Q	T ₁	U			Z
FWSN 25 T	25	115	44,4	22,0	9,0	9,5	37,5	92	9,0	Rp 1/8	3	36,4	75 h8	HC 205 R3	0,8
FWSN 30 T	30	127	48,4	22,5	9,5	10,5	44,0	105	9,0	Rp 1/8	3	40,6	85 h8	HC 206 R3	1,08
FWSN 35 T	35	135	51,1	22,5	10,0	9,0	51,0	110	11,5	Rp 1/8	4	41,3	90 h8	HC 207 R3	1,3
FWSN 40 T	40	145	56,3	26,0	11,5	11,5	58,0	120	11,5	Rp 1/8	4	46,4	100 h8	HC 208 R3	1,72
FWSN 45 T	45	155	56,3	26,5	12,0	11,5	63,0	130	14,0	Rp 1/8	4	46,4	105 h8	HC 209 R3	2,06
FWSN 50 T	50	165	62,7	27,5	13,0	12,5	69,0	136	14,0	Rp 1/8	4	50,6	115 h8	HC 210 R3	2,48
FWSN 60 T	60	195	77,8	33,0	16,0	17,0	84,0	165	14,0	Rp 1/8	4	63,8	140 h8	HC 212 R3	3,99