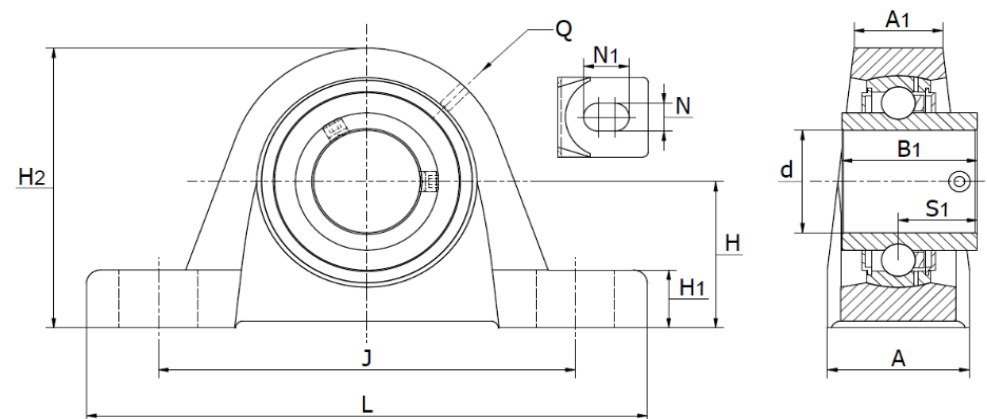




## SW .. U series (RASEY / SY .. TF) - Plummer block housing units

cast iron housing, radial insert ball bearing with grub screws in inner ring.



Part No.	d mm	Dimensions (mm)											Bearing No.	Weight (kg)	Cover	
		L	H <sub>2</sub>	A	A <sub>1</sub>	B	H	H <sub>1</sub>	J	N	N <sub>1</sub>	Q				S <sub>1</sub>
SW 20 U-RASEY20	20	130	64,0	32	19	31,0	33,3	14,5	97	11	19	R1/8	18,3	UC 204	0,59	N/A
SW 25 U-RASEY25	25	130	70,0	36	22	34,1	36,5	14,5	103	11	19	R1/8	19,8	UC 205	0,70	KASK05
SW 30 U-RASEY30	30	158	82,0	40	25	38,1	42,9	17,0	118	14	22	R1/8	22,2	UC 206	1,11	KASK06
SW 35 U-RASEY35	35	163	93,0	45	27	42,9	47,6	19,0	126	14	21	R1/8	25,4	UC 207	1,60	N/A
SW 40 U-RASEY40	40	179	99,0	48	30	49,2	49,2	19,0	138	14	26	R1/8	30,2	UC 208	1,83	KASK08
SW 45 U-RASEY45	45	192	107,0	48	32	49,2	54,0	21,5	150	14	29	R1/8	30,2	UC 209	2,21	KASK09
SW 50 U-RASEY50	50	200	115,0	54	34	51,6	57,2	21,5	158	18	23	R1/8	32,6	UC 210	2,70	KASK10
SW 55 U-RASEY55	55	222	124,5	60	35	55,6	63,5	22,5	176	18	30	R1/8	33,4	UC 211	3,40	N/A
SW 60 U-RASEY60	60	240	140,0	60	42	65,1	69,9	25,0	190	18	28	R1/8	39,7	UC 212	4,79	KASK12
SW 65 U-SY 65 TF	65	264	151,0	70	40	74,6	76,2	27,0	203	25	30	M6	44,4	UC 213	6,41	N/A
SW 65 U-RASEY65-214	65	260	156,0	65	44	74,6	79,4	27,5	203	22	28	R1/8	44,4	UCX 213	6,41	N/A
SW 70 U-RASEY70	70	260	156,0	65	44	74,6	79,4	27,5	203	22	28	R1/8	44,4	UC 214	6,15	N/A
SW 75 U-RASEY75	75	265	164,0	66	44	77,8	82,5	27,5	217	22	28	R1/8	44,5	UC 215	7,65	N/A
SW 80 U-RASEY80	80	292	175,0	78	52	82,6	88,9	30,0	232	25	30	R1/8	49,3	UC 216	8,65	N/A
SW 90 U-RASEY90	90	327	200,0	88	52	96,0	101,6	33,0	262	27	36	R1/8	56,3	UC 218	12,12	N/A
SW 100 U-RASEY100	100	380	225,0	95	62	108,0	115,0	40,0	296	30	55	R1/8	66	UC 220	15,85	N/A