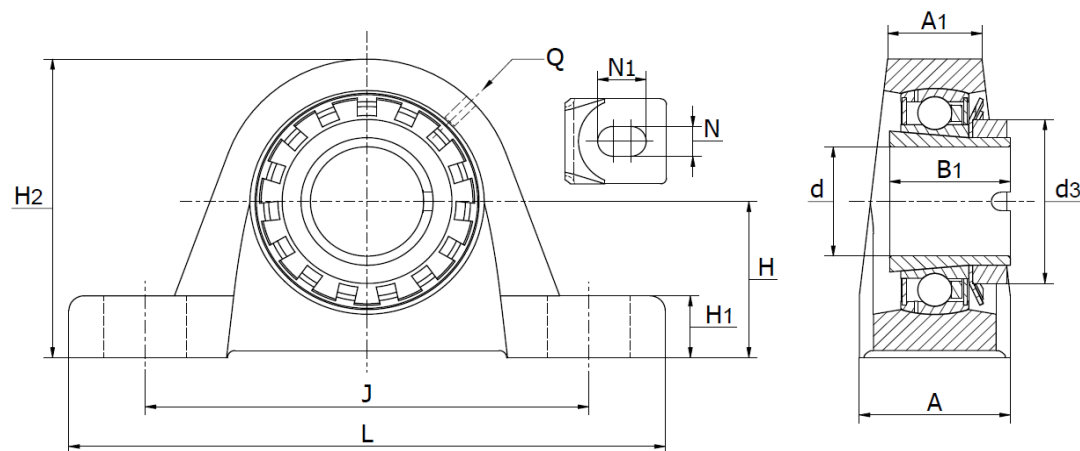




SW ... K series - Plummer block housing units
radial insert ball bearing for adapter sleeve (not included).



Part No.	d mm	Dimensions (mm)											Bearing No. Incl. Adapt. Sleeve	Weight (kg)	Cover	
		L	H ₂	A	A ₁	B ₁	d _{3 max}	H	H ₁	J	N	N ₁				Q
SW 25 K	20	130	70,0	36	22	35	38	36,5	14,5	103	11	19	R1/8	UK 205 + H2305	0,60	KASK05
SW 30 K	25	158	82,0	40	25	38	45	42,9	17,0	118	14	22	R1/8	UK 206 + H2306	1,00	KASK06
SW 35 K	30	163	93,0	45	27	43	52	47,6	19,0	126	14	21	R1/8	UK 207 + H2307	1,48	N/A
SW 40 K	35	179	99,0	48	30	46	58	49,2	19,0	138	14	26	R1/8	UK 208 + H2308	1,71	KASK08
SW 45 K	40	192	107,0	48	32	50	65	54,0	21,5	150	14	29	R1/8	UK 209 + H2309	1,95	Cover Ø45
SW 50 K	45	200	115,0	54	34	55	70	57,2	21,5	158	18	23	R1/8	UK 210 + H2310	2,32	KASK10
SW 55 K	50	222	124,5	60	35	59	75	63,5	22,5	176	18	30	R1/8	UK 211 + H2311	3,40	N/A
SW 60 K	55	240	140,0	60	42	62	80	69,9	25,0	190	18	28	R1/8	UK 212 + H2312	4,05	KASK12
SW 75 K	65	265	164,0	66	44	73	98	82,5	27,5	217	22	28	R1/8	UK 215 + H2315	7,65	N/A
SW 80 K	70	292	175,0	78	52	78	105	88,9	30,0	232	25	30	R1/8	UK 216 + H2316	8,65	N/A
SW 85 K	75	310	187,0	83	55	82	110	95,2	32,0	247	25	28	R1/8	UK 217 + H2317	9,61	N/A
SW 90 K	80	327	200,0	88	52	86	120	101,6	33,0	262	27	36	R1/8	UK 218 + H2318	12,12	N/A