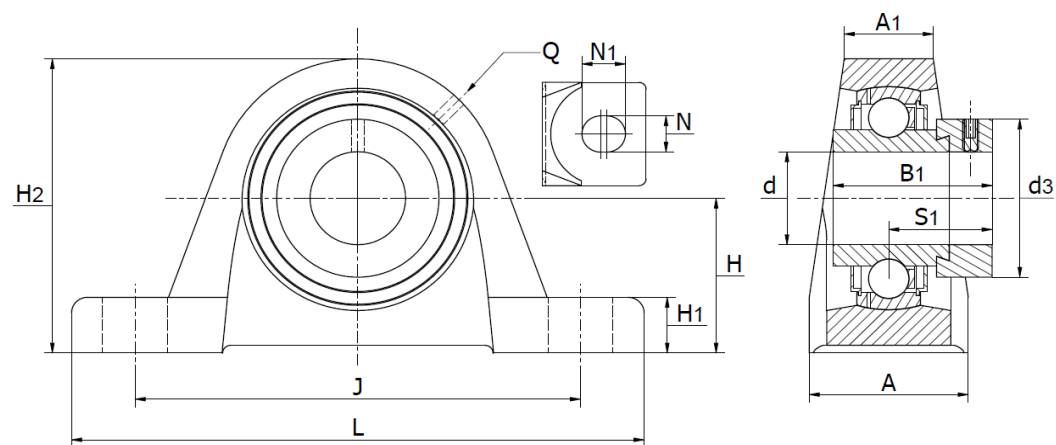




RSAO .. Series

cast iron housing, radial insert ball bearing with eccentric locking collar



Part No.	d	Dimensions (mm)											Bearing No.	Weight (kg)		
	mm	L	H ₂	A	A ₁	B ₁	d _{3 max}	H	H ₁	J	N	N ₁			Q	S ₁
RSAO30	30	180	95	50	28	50,0	51,0	50	18	140	17,5	20,5	Rp 1/8"	32,5	HC 306	1,8
RSAO35	35	210	106	56	30	51,6	55,0	56	20	160	17,5	25,5	Rp 1/8"	33,4	HC 307	2,8
RSAO40	40	220	116	60	31	54,6	63,0	60	22	170	17,5	27,5	Rp 1/8"	36,6	HC 308	3,2
RSAO50	50	275	143	75	39	66,8	75,8	75	27	212	20,0	35,0	Rp 1/8"	42,1	HC 310	6,1
RSAO60	60	330	165	85	46	68,4	89,0	85	32	250	25,0	38,0	Rp 1/8"	45,4	HC 312	9,0
RSAO70	70	360	187	90	54	75,5	102,0	95	35	282	27,0	42,0	Rp 1/8"	49,4	HC 314	11,0
RSAO80	80	390	226	110	76	93,6	118,0	116	50	315	25,5	44,5	Rp 1/8"	59,7	HC 316	22,5
RSAO90	90	410	250	120	84	101,0	132,0	130	57	340	28,0	54,0	Rp 1/8"	65,5	HC 318	29,5
RSAO100	100	440	280	130	94	109,5	145,0	145	65	375	32,0	47,0	Rp 1/8"	70,0	HC 320	41,0