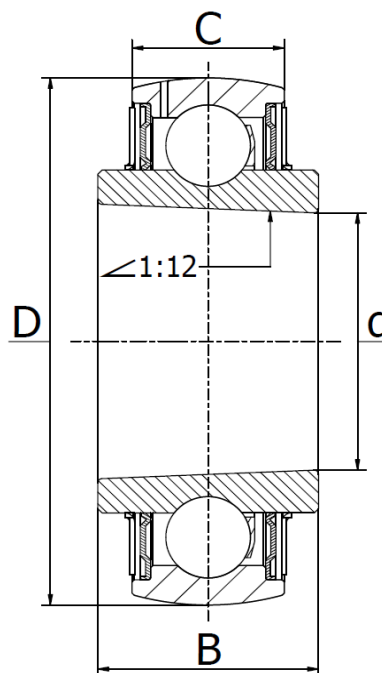




UK 300 Series

Radial insert ball bearings, for adapter sleeve, lithium based NLGI 2/3 grease.

Temperature range -30°C to +110°C.



Bearing No.	Dimensions(mm)				Basic load rating (N)		Mass (kg)	Adapter
	d	D	B	C	Dynamic Cr	Static Cor		
UK 305	25	62	26	20	21200	10600	0,48	H2305
UK 306	30	72	29	23	26700	14100	0,59	H2306
UK 307	35	80	33	25	33500	18000	0,74	H2307
UK 308	40	90	34	27	40500	22600	1,02	H2308
UK 309	45	100	37	29	53000	30000	1,38	H2309
UK 310	50	110	41	32	62000	36000	1,68	H2310
UK 311	55	120	44	34	71500	42500	2,06	H2311
UK 312	60	130	47	36	82000	49000	2,53	H2312
UK 313	65	140	49	39	92500	56000	3,08	H2313
UK 315	75	160	55	43	113000	72500	4,84	H2315
UK 316	80	170	58	45	123000	81000	5,75	H2316
UK 317	85	180	60	47	133000	90500	6,72	H2317
UK 318	90	190	64	49	143000	100000	7,88	H2318
UK 319	95	200	67	51	153000	111000	9,04	H2319
UK 320	100	215	73	55	173000	132000	11,10	H2320
UK 322	110	240	80	59	205000	169000	14,90	H2322
UK 324	120	260	86	63	207000	171000	18,00	H2324
UK 326	130	280	90	67	229000	198000	23,30	H2326
UK 328	140	300	95	71	253000	227000	28,80	H2328