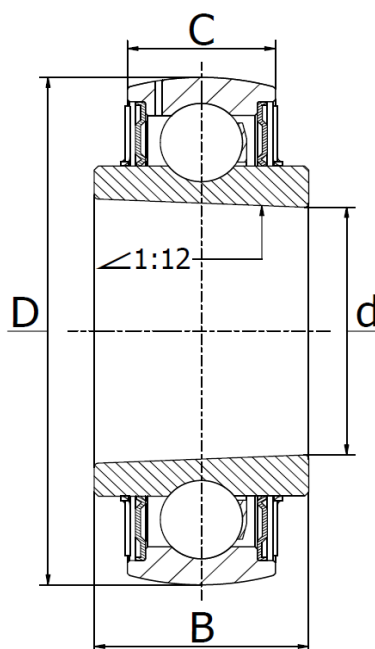




UK 200 Series - Radial Insert Ball Bearings

For adapter sleeve, universal regreaseable acc. to common european and japanese standards, lithium based NLGI 2/3 grease. Temperature range -30°C to +110°C.



Bearing No.	Dimensions(mm)					Basic load rating (N)		Mass (kg)	Adapter
	d	D	B	C	h	Dynamic Cr	Static Cor		
UK 205	25	52	21	15	4,3	14000	7880	0,15	H2305
UK 206	30	62	25	19	5,0	19500	11200	0,25	H2306
UK 207	35	72	27	20	5,8	25700	15200	0,37	H2307
UK 208	40	80	29	21	6,3	29600	18200	0,48	H2308
UK 209	45	85	30	22	6,8	31850	20800	0,53	H2309
UK 210	50	90	32	22	6,5	35100	23200	0,59	H2310
UK 211	55	100	33	27	7,2	43550	29200	0,77	H2311
UK 212	60	110	36	27	8,2	47800	32800	1,03	H2312
UK 213	65	120	36	28	8,0	57200	40000	1,36	H2313
UK 215	75	130	41	30	9,0	66000	49500	1,67	H2315
UK 216	80	140	44	33	10,3	71500	54200	1,96	H2316
UK 217	85	150	44	35	11,0	83200	63800	2,42	H2317
UK 218	90	160	47	37	-	96000	63500	4,75	H2318