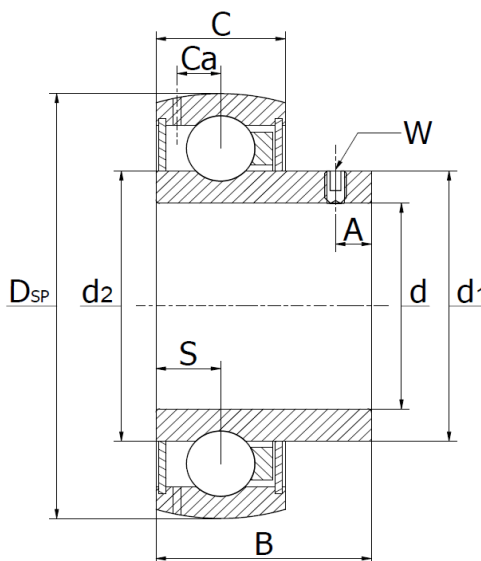
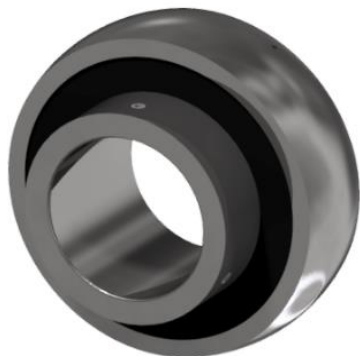




## SB 200 Series (GAY .. NPPB)

Radial insert ball bearings, location by set screws, universal regreaseable acc. to common european and japanese standards, lithium based NLGI 2/3 grease. Temperature range -30°C to +110°C.



Product No.	Dimensions (mm)										Weight (kg)	Basic radial load ratings	
	d	D <sub>SP</sub>	B	A	C	C <sub>a</sub>	d <sub>1</sub>	d <sub>2</sub>	S	W		Dynamic C <sub>r</sub>	Static C <sub>0r</sub>
<b>SB 201</b>	12	40	22,0	4,0	12	3,4	23,9	22,9	6,0	M5	0,10	9500	4150
<b>SB 202</b>	15	40	22,0	4,0	12	3,4	23,9	22,9	6,0	M5	0,09	9500	4150
<b>SB 203</b>	17	40	22,0	4,0	12	3,4	23,9	22,9	6,0	M5	0,08	9500	4150
<b>SB 204</b>	20	47	25,0	4,5	14	4,0	28,3	26,7	7,0	M6	0,13	12700	5700
<b>SB 205</b>	25	52	27,0	5,0	15	3,9	33,5	30,4	7,5	M6	0,16	13800	6950
<b>SB 206</b>	30	62	30,0	5,8	18	4,7	39,4	37,3	9,0	M6	0,26	19300	10900
<b>SB 207</b>	35	72	35,0	6,0	19	5,6	46,9	44,5	9,5	M8	0,41	25200	14900
<b>SB 208</b>	40	80	39,5	8,0	21	6,4	52,4	49,3	10,5	M8	0,53	31700	19500
<b>SB 209</b>	45	85	41,5	8,0	22	6,4	57,0	54,3	11,0	M8	0,60	32400	20100
<b>SB 210</b>	50	90	43,0	9,0	22	6,9	62,0	59,3	11,0	M8	0,67	34600	23100
<b>SB 211</b>	55	100	46,2	9,8	21	7,6	69,0	67,9	11,8	M10	1,00	43200	29200
<b>SB 212</b>	60	110	47,0	10,0	24	7,2	76,0	73,6	13,0	M10	1,17	51400	36000