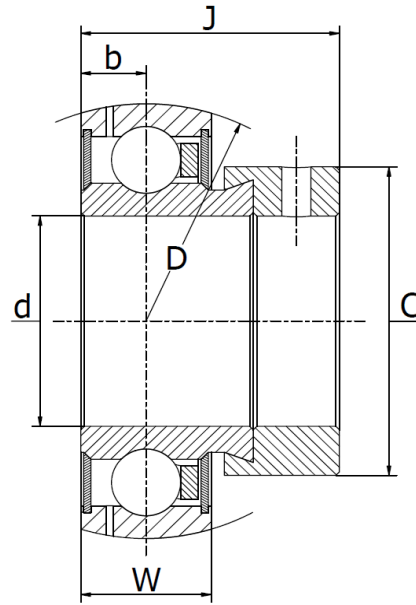




SA 200 Series (Japanese standard)

Normal duty, eccentric collar lock, universal regreaseable acc. to common european and japanese standards, lithium based NLGI 2/3 grease. Temperature range -30°C to +110°C.



Product no.	Dimensions (mm)						Weight (kg)	Basic load rating (N)	
	d	D	W	J	C	b		Dynamic (C _r)	Static (C _{0r})
SA 201	12	40	12	28,6	29,0	6,5	0,15	9600	4600
SA 202	15	40	12	28,6	29,0	6,5	0,15	9600	4600
SA 203	17	40	12	28,6	29,0	6,5	0,15	9600	4600
SA 204	20	47	14	31,0	33,0	7,5	0,16	12800	6650
SA 205	25	52	15	31,0	38,0	7,5	0,23	14000	7850
SA 206	30	62	16	35,7	44,5	9,0	0,40	19500	11300
SA 207	35	72	17	38,9	55,5	9,5	0,58	25700	15300
SA 208	40	80	18	43,7	60,0	11,0	0,73	29100	17800
SA 209	45	85	19	43,7	63,5	11,0	0,87	32500	20400
SA 210	50	90	20	43,7	69,5	11,0	0,98	35000	23200
SA 211	55	100	21	48,4	76,0	12,0	1,10	43500	29200
SA 212	60	110	22	53,1	84,0	13,5	1,40	52500	36000