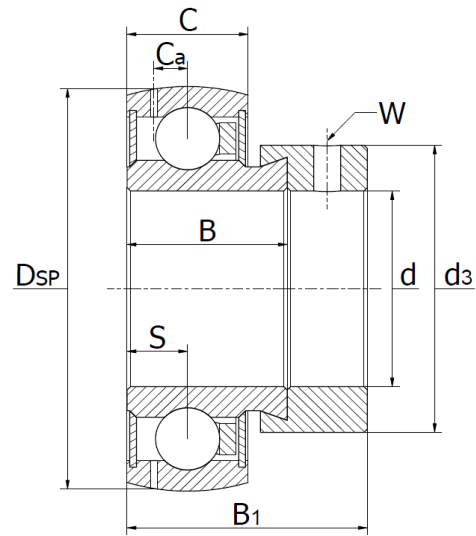




SA 200 ZP Series (GRAE..-NPP-B-FA125)

normal duty with zinc plating (corro.), eccentric collar lock, universal regreaseable acc. to common european and japanese standards, lithium based NLGI 2/3 grease. Temperature range -30°C to +110°C.



Product no.	Dimensions (mm)									Weight (kg)	Basic load rating (N)	
	d	D _{sp}	B ₁	B	C	C _a	d ₃	S	W		Dynamic (C _r)	Static (C _{0r})
SA 201 ZP	12	40	28,6	19,0	12	3,4	28,0	6,5	M6	0,13	9800	4750
SA 202 ZP	15	40	28,6	19,0	12	3,4	28,0	6,5	M6	0,11	9800	4750
SA 203 ZP	17	40	28,6	19,0	12	3,4	28,0	6,5	M6	0,10	9800	4750
SA 204 ZP	20	47	31,0	21,4	14	4,0	33,0	7,5	M6	0,16	12800	6600
SA 205 ZP	25	52	31,0	21,4	15	3,9	37,5	7,5	M6	0,19	14000	7800
SA 206 ZP	30	62	35,8	23,8	18	4,7	44,0	9,0	M8	0,32	19500	11300
SA 207 ZP	35	72	39,0	25,4	19	5,6	51,0	9,5	M10	0,47	25500	15300
SA 208 ZP	40	80	43,8	30,2	21	6,4	58,0	11,0	M10	0,62	32500	19800
SA 209 ZP	45	85	43,8	30,2	22	6,4	63,0	11,0	M10	0,70	32500	20400
SA 210 ZP	50	90	43,8	30,2	22	6,9	69,0	11,0	M10	0,77	35000	23200
SA 211 ZP	55	100	48,4	32,5	25	7,0	76,0	12,0	M10	1,06	43500	29000
SA 212 ZP	60	110	53,1	37,1	24	7,2	84,0	13,5	M10	1,40	52000	36000