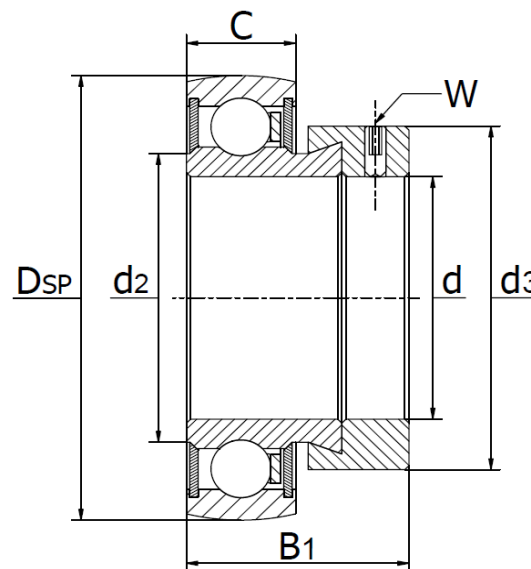




RALE .. NPPB - Radial insert ball bearings

Spherical outer ring, location by eccentric locking collar, lithium based NLGI 2/3 grease.



Item No.	Dimensions (mm)										Basic load rating, radial (N)	
	d	D _{SP}	B ₁	B	C	d ₂	d _{3 max}	S	W	m	Dynamic C _r	Static C _{0r}
RALE20NPPB	20	42	24,5	16,7	12	25,4	30,0	6,0	M5	0,10	10000	5000
RALE25NPPB	25	47	25,5	17,5	12	30,0	36,0	6,0	M5	0,12	10700	5900
RALE30NPPB	30	55	26,5	18,5	13	35,7	42,5	6,5	M5	0,18	14100	8300