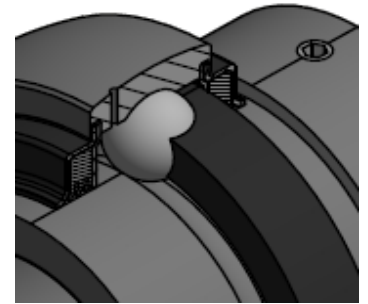
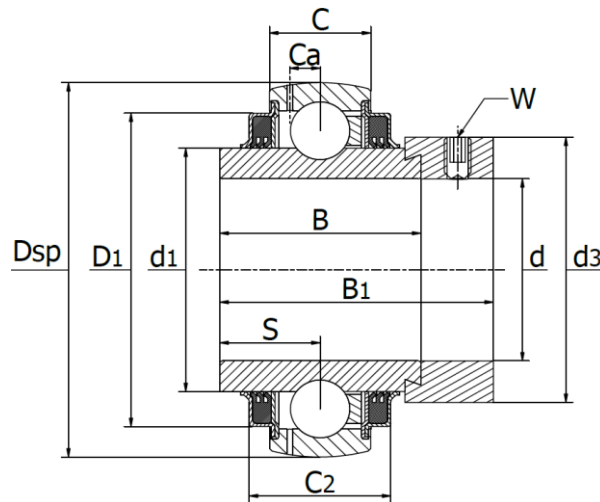




## HC ... R3 Series (GE..KTTB/GE..KPPB-3)

Eccentric collar lock with R3 seals, universal regreaseable acc. to common european and japanese standards, lithium based NLGI 2/3 grease. Temperature range -30°C to +110°C.



Bearing No.	Dimensions(mm)												Basic load rating (N)		Weight (kg)
	d	D <sub>SP</sub>	B <sub>1</sub>	B	C	C <sub>2</sub>	Ca	D <sub>1</sub>	d <sub>1</sub>	d <sub>3 max</sub>	S	W	Cr	Cor	
HC 204 R3	20	47	43,7	34,1	14	16,6	3,7	37,4	27,6	33,0	17,1	M6	12800	6600	0,20
HC 205 R3	25	52	44,4	34,9	15	20,2	3,9	42,5	33,8	37,5	17,5	M6	14000	7800	0,25
HC 206 R3	30	62	48,4	36,5	18	20,7	5,0	52,0	40,2	44,0	18,3	M8	19500	11300	0,39
HC 207 R3	35	72	51,1	37,7	19	22,4	5,7	60,3	46,8	51,0	18,8	M10	25500	15300	0,56
HC 208 R3	40	80	56,3	42,9	21	28,1	6,2	68,3	52,3	60,3	21,4	M10	32500	19800	0,77
HC 209 R3	45	85	56,5	42,9	22	26,4	6,4	72,3	57,9	63,0	21,4	M10	32500	20400	0,86
HC 210 R3	50	90	62,7	49,2	22	26,4	6,9	77,3	62,8	69,0	24,6	M10	35000	23200	1,06
HC 211 R3	55	100	71,4	55,5	25	29,0	7,0	85,9	69,8	76,0	27,8	M10	43500	29000	1,42
HC 212 R3	60	110	77,8	61,9	24	29,0	7,6	94,5	76,5	84,0	31,0	M10	52000	36000	1,84
HC 213 R3	65	120	66,1	48,5	28	32,0	8,9	109,0	85,2	96,0	21,5	M12	57200	40000	2,71
HC 213-214 R3	65	125	66,1	48,5	28	32,0	8,9	109,0	85,2	96,0	21,5	M12	60830	45030	2,45
HC 214 R3	70	125	66,1	48,5	28	32,0	8,9	109,0	85,2	96,0	21,5	M12	60830	45030	2,45
HC 215 R3	75	130	67,1	49,5	28	30,5	8,5	113,0	90,0	100,0	21,5	M12	66000	44500	2,65
HC 216 R3	80	140	71,0	53,2	30	38,0	8,8	120,0	97,0	108,0	23,4	M12	72000	54000	2,95

This seal type consists of a metal cap and synthetic rubber seals, which are baked together to form a single seal. The lip layers are of triple construction and outside matters, such as dust, water, etc. are shut out. This sealing system shows its outstanding function under bad conditions.

The larger grease reservoirs provide longer relubrication intervals.

Operating temperatures are from -20°C to +120°C.