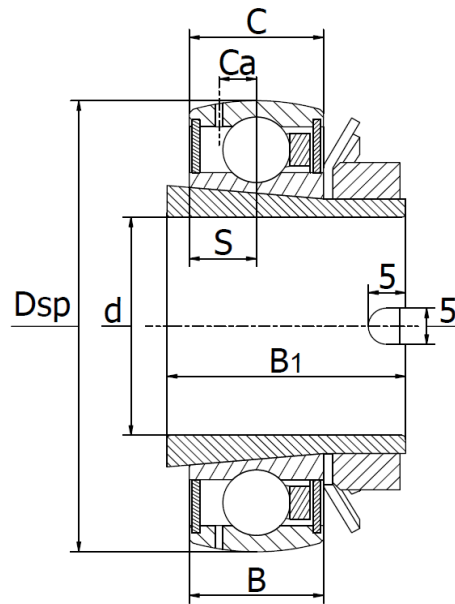




GSH .. RRB Series

Location by adapter sleeve, rubber seals on both sides, lithium based NLGI 2/3 grease.



Part No.	Dimensions (mm)						Basic Load Rating		Weight (kg)	
	d	D _{SP}	B ₁	B	C	C _a	S	Dynamic C _r		Static C _{or}
GSH 20 RRB	20	47	28	15	14	3,7	7,5	12700	6600	0,14
GSH 25 RRB	25	52	28	15	15	3,9	7,5	13600	7800	0,17
GSH 30 RRB	30	62	32	18	18	5,0	9,0	18900	11300	0,27
GSH 35 RRB	35	72	34	19	19	5,7	9,5	24900	15300	0,43
GSH 40 RRB	40	80	38	22	21	6,2	11,0	29500	19800	0,54
GSH 45 RRB	45	85	46	36	22	6,4	18,0	31000	20100	0,69
GSH 50 RRB	50	90	40	22	22	6,5	11,0	33000	22900	0,64