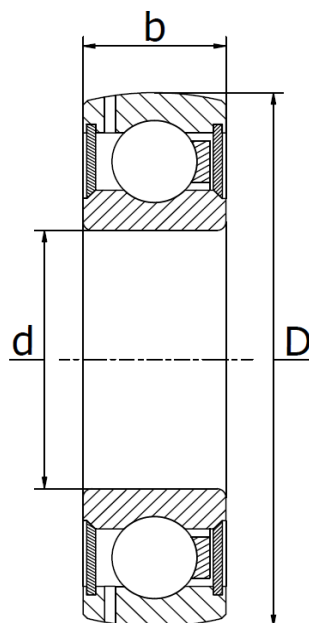




CS 200 2RS Series (200 NPPB / 76200.2RS / 1726200.2RS)

Radial insert ball bearings, spherical outer ring, inner ring for fit, lithium based NLGI 2/3 grease, temperature range -30°C to +110°C.



Bearing No.	Dimensions(mm)			Basic load rating (N)		Limiting	Weight (g)
	d	D	b	Dynamic Cr	Static Cor	Speed (RPM)	
CS 201 2RS	12	32	10	6800	3050	14600	33
CS 202 2RS	15	35	11	7600	3490	12400	43
CS 203 2RS	17	40	12	9600	4600	11100	61
CS 204 2RS	20	47	14	9880	6200	9300	98
CS 205 2RS	25	52	15	14000	7880	8000	122
CS 206 2RS	30	62	16	19500	11500	6700	195
CS 207 2RS	35	72	17	25500	15200	5700	280
CS 208 2RS	40	80	18	29500	18000	5000	358
CS 209 2RS	45	85	19	31500	20800	4650	405
CS 210 2RS	50	90	20	35000	23200	4300	449
CS 211 2RS	55	100	21	43300	29200	3900	589
CS 212 2RS	60	110	22	47700	32800	3550	774