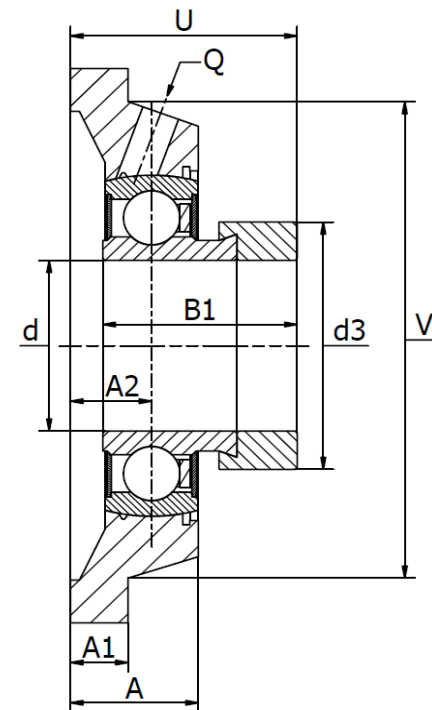
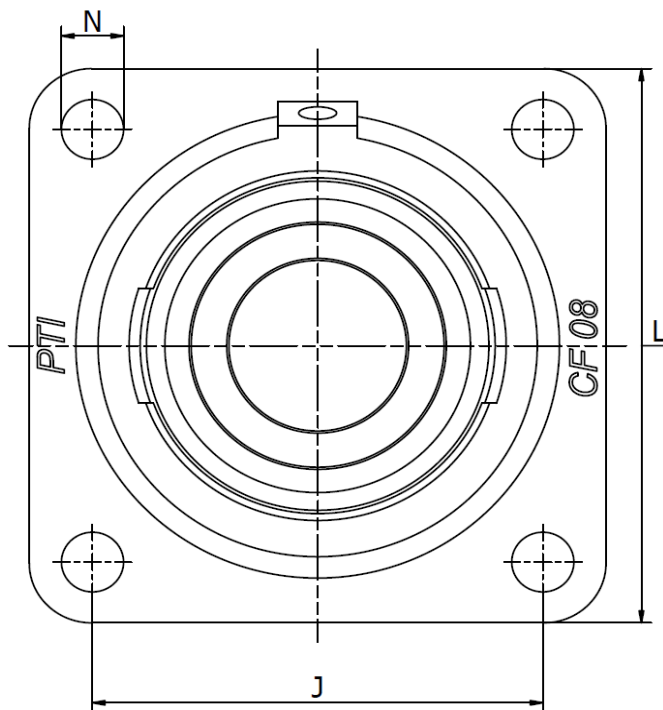




FWS-PCF .. Series

Four-bolt flanged housing units, cast iron, eccentric locking collar. Temperature range -30°C to +110°C



Part No.	d	Dimensions (mm)											Bearing No.	Housing No.	Weight	
	mm	L	U	A	A ₁	A ₂	B ₁	d _{3 max}	J	N	Q	V			(kg)	Cover
FWS-PCF20	20	86	34,0	20,0	10,0	10,5	31,0	33,0	63,5	11,5	1/8"	68	SA 204	CF04	0,55	N/A
FWS-PCF25	25	95	36,0	22,0	11,0	12,5	31,0	37,5	70,0	11,5	1/8"	74	SA 205	CF05	0,71	N/A
FWS-PCF30	30	108	40,0	22,3	12,0	13,3	35,8	44,0	82,5	11,5	1/8"	85	SA 206	CF06	1,01	N/A
FWS-PCF35	35	118	45,0	25,0	12,5	15,5	39,0	51,0	92,0	14,0	1/8"	100	SA 207	CF07	1,31	N/A
FWS-PCF40	40	130	51,0	28,8	13,0	18,3	43,8	58,0	101,5	14,0	1/8"	110	SA 208	CF08	1,72	N/A
FWS-PCF45	45	137	51,9	30,2	13,0	19,2	43,8	63,0	105,0	14,0	1/8"	116	SA 209	CF09	1,99	Cover Ø45
FWS-PCF50	50	143	51,4	30,2	13,0	19,2	43,8	69,0	111,0	14,0	1/8"	125	SA 210	CF10	2,20	KASK10