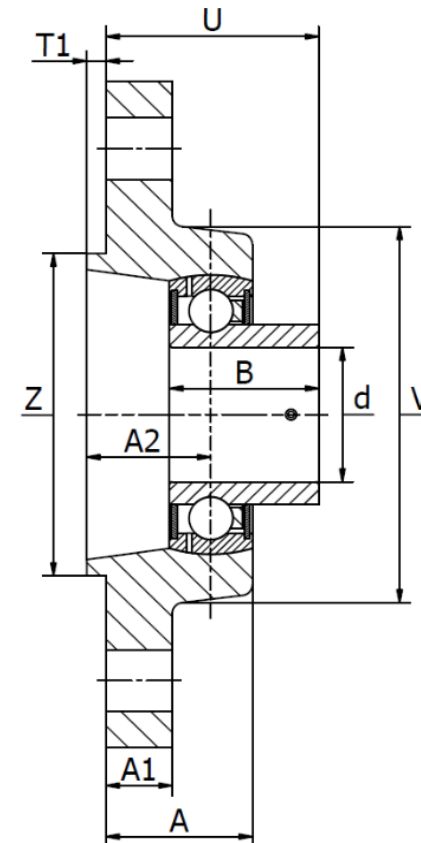
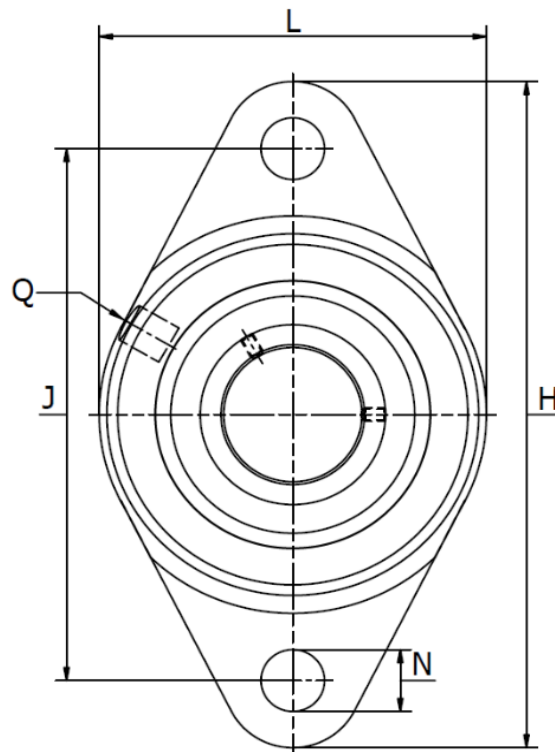




OWFZ .. S Series (PCJTZY)

Two-bolt flanged housing units, cast iron, centring spigot, set screw locking. Temperature range -30°C to +110°C



Part No.	d mm	Dimensions (mm)											Bearing No.	Weight (kg)		
		H	U	A	A ₁	A ₂	B	J	L	N	Q	T ₁			V	Z
OWFZ 20 S	20	112,5	37,0	31,7	10,0	19	25,0	90,0	60,5	11,5	Rp 1/8	3,5	60,5	55 h8	SB 204	0,53
OWFZ 25 S	25	124,0	38,5	26,5	12,0	19	27,0	99,0	70,0	11,5	Rp 1/8	3,5	70,0	60 h8	SB 205	0,64
OWFZ 30 S	30	142,0	41,0	26,0	12,0	17	29,0	116,5	83,0	11,5	Rp 1/8	3,0	80,0	80 h8	SB 206	0,90
OWFZ 35 S	35	155,0	46,5	26,5	12,5	17	32,0	130,0	94,0	14,0	Rp 1/8	4,0	92,0	90 h8	SB 207	1,22
OWFZ 40 S	40	172,0	53,0	30,5	13,0	20	34,0	143,5	105,0	14,0	Rp 1/8	4,0	105,0	100 h8	SB 208	1,69
OWFZ 45 S	45	180,0	54,5	31,0	13,0	20	41,0	148,5	111,0	14,0	Rp 1/8	4,0	111,0	105 h8	SB 209	1,86
OWFZ 50 S	50	190,0	56,0	35,0	13,0	24	43,0	157,0	115,0	14,0	Rp 1/8	4,0	116,0	105 h8	SB 210	2,21
OWFZ 60 S	60	238,0	68,0	42,0	16,0	30	47,0	202,0	138,0	18,0	Rp 1/8	4,0	138,0	130 h8	SB 212	3,74