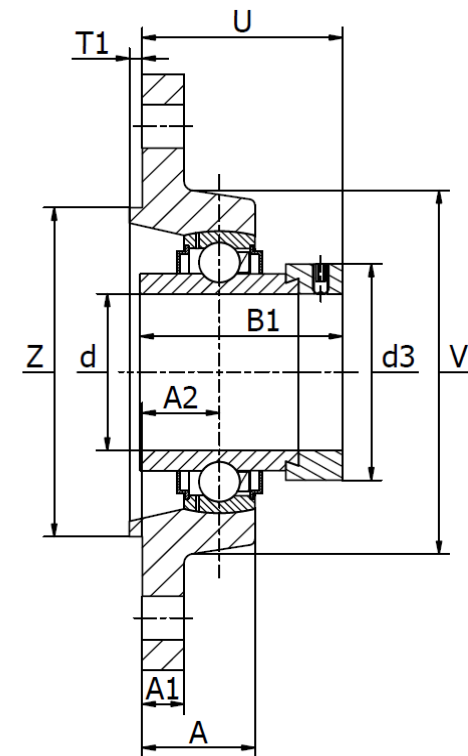
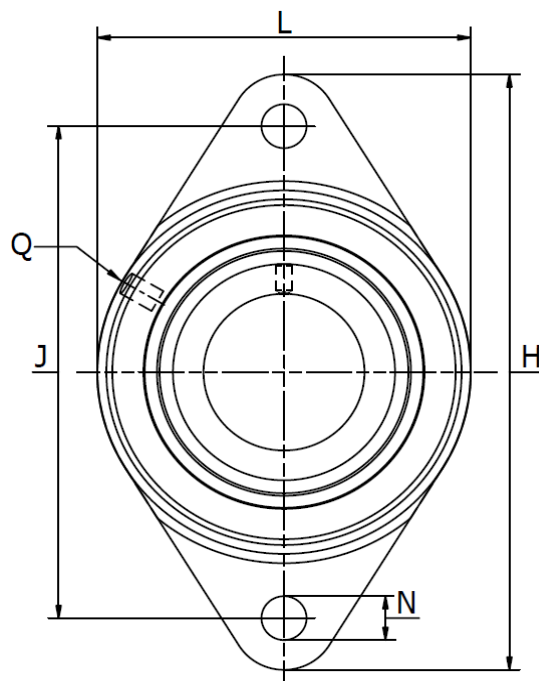




OWFZ .. A series (RCJTZ)

Two-bolt flanged housing units, cast iron, centring spigot, eccentric locking collar. Temperature range -30°C to +110°C



Part No.	d mm	Dimensions (mm)											Bearing No.	Weight (kg)			
		H	U	A	A ₁	A ₂	B ₁	d _{3 max}	J	L	N	Q			T ₁	V	Z
OWFZ 20 A	20	112,5	45,6	31,7	10,0	19	43,7	33,0	90,0	60,5	11,5	Rp 1/8	3,5	60,5	55 h8	HC 204	0,53
OWFZ 25 A	25	124,0	45,9	26,5	12,0	19	44,5	37,5	99,0	70,0	11,5	Rp 1/8	3,5	70,0	60 h8	HC 205	0,64
OWFZ 30 A	30	142,0	47,1	26,0	12,0	17	48,5	44,0	116,5	83,0	11,5	Rp 1/8	3,0	83,0	80 h8	HC 206	0,90
OWFZ 35 A	35	155,0	49,3	26,5	12,5	17	51,3	51,0	130,0	94,0	14,0	Rp 1/8	4,0	94,0	90 h8	HC 207	1,22
OWFZ 40 A	40	172,0	54,9	30,5	13,0	20	56,3	60,3	143,5	105,0	14,0	Rp 1/8	4,0	105,0	100 h8	HC 208	1,60
OWFZ 45 A	45	180,0	54,9	31,0	13,0	20	56,5	63,0	148,5	111,0	14,0	Rp 1/8	4,0	111,0	105 h8	HC 209	1,86
OWFZ 50 A	50	190,0	62,1	35,0	13,0	24	62,7	69,9	157,0	115,0	14,0	Rp 1/8	4,0	116,0	105 h8	HC 210	2,21
OWFZ 60 A	60	238,0	76,8	42,0	16,0	30	77,9	84,0	202,0	138,0	18,0	Rp 1/8	4,0	138,0	130 h8	HC 212	3,74