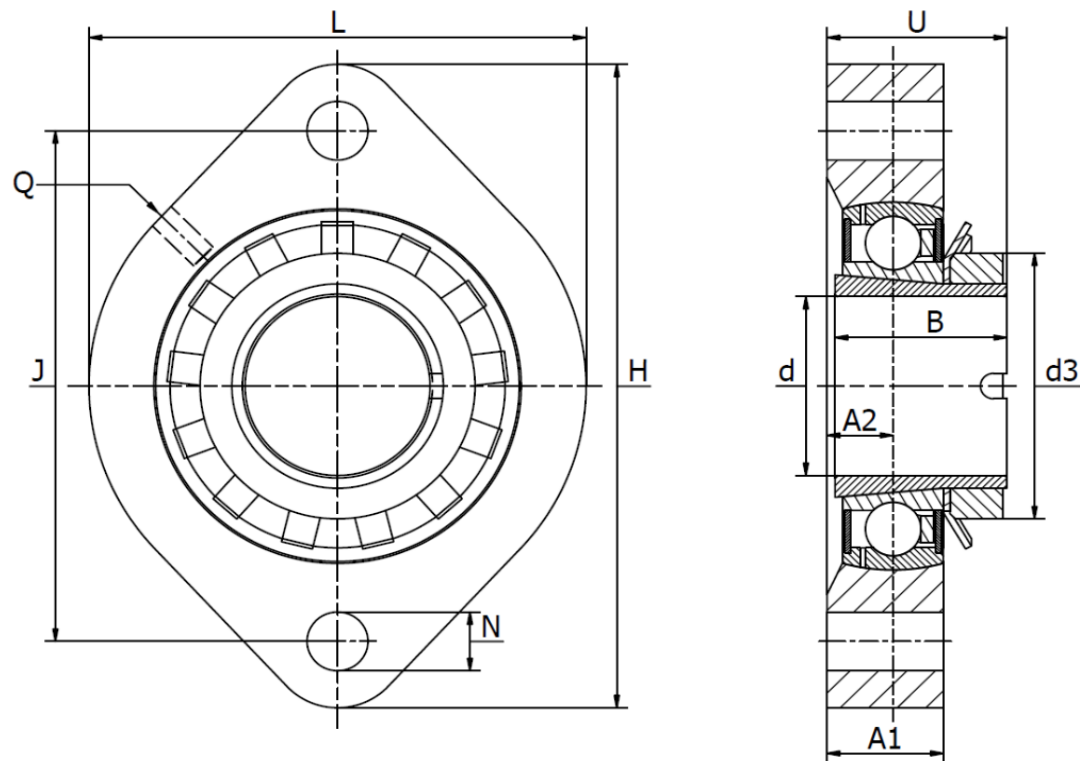
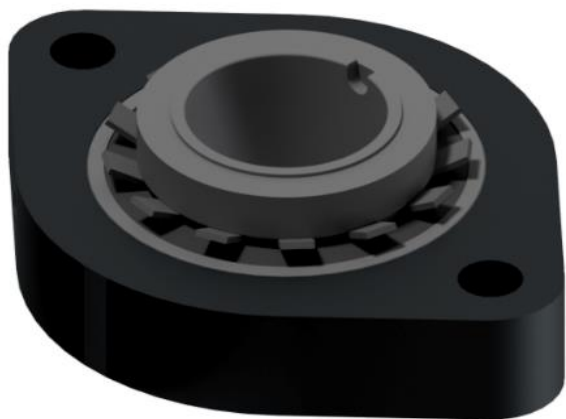




## OWFK .. KG series (GLCTA/FLCTA)

Normal duty, with adapter sleeve, GLCTA = with greasebore, FLCTA = without greasebore. Temperature range -30°C to +110°C



Part No.	d mm	Dimensions (mm)										Bearing No. Incl. Adapt. Sleeve	Weight (kg)
		H	U	A <sub>1</sub>	A <sub>2</sub>	B	d <sub>3 max</sub>	J	L	N	Q		
OWFK 20 KG	20	90,5	28	17,0	9,5	28	32	71,4	66,5	9,0	M6 - 45° lubrication hole	GSH 20 RRB	0,39
OWFK 25 KG	25	97,0	28	17,5	9,9	28	38	76,2	71,0	9,0	M6 - 45° lubrication hole	GSH 25 RRB	0,47
OWFK 30 KG	30	112,5	32	20,5	11,4	32	45	90,5	84,0	11,5	M6 - 45° lubrication hole	GSH 30 RRB	0,76
OWFK 35 KG	35	126,0	34	22,0	12,4	34	52	100,0	94,0	11,5	Rp 1/8" - 90° lubrication hole	GSH 35 RRB	1,02
OWFK 40 KG	40	150,0	38	24,0	13,5	38	58	119,0	100,0	14,0	Rp 1/8" - 90° lubrication hole	GSH 40 RRB	1,27