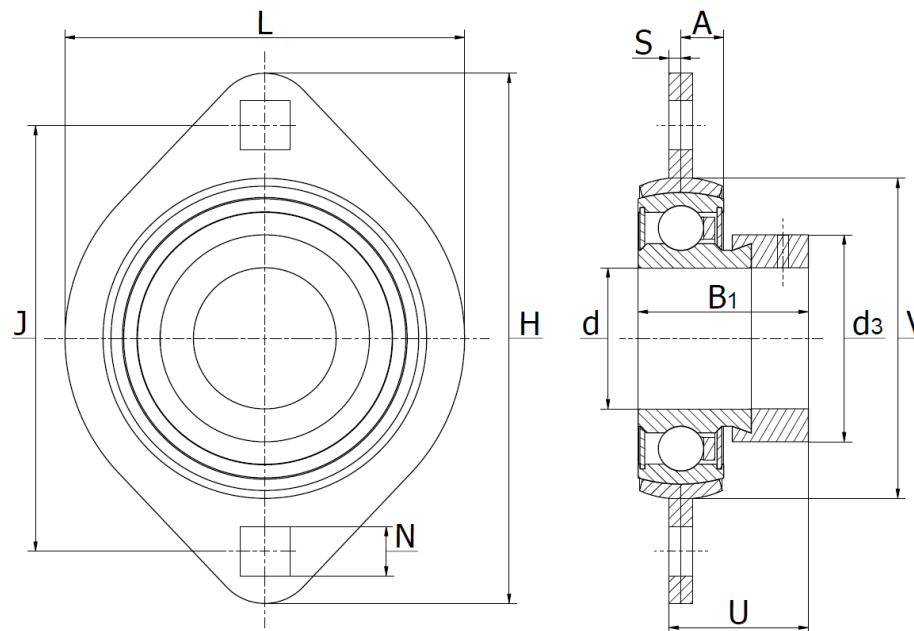




OBF ... series (RAT)

two-bolt flanged housing units, zinc plated sheet steel, eccentric collar lock



Part No.	Dimensions (mm)												Bearing No.	Housing No.	Weight (kg)
	d mm	H	U	A	B ₁	d _{3 max}	J	N	L	S	V				
OBF 12	12	81	24,0	7,0	28,6	28,0	63,5	7	59	2,0	45	SA 201	PFL 201	0,19	
OBF 15	15	81	24,0	7,0	28,6	28,0	63,5	7	59	2,0	45	SA 202	PFL 202	0,19	
OBF 17	17	81	24,0	7,0	28,6	28,0	63,5	7	59	2,0	45	SA 203	PFL 203	0,19	
OBF 20	20	90	25,5	8,0	31,0	33,0	71,5	9	67	2,0	52	SA 204	PFL 204	0,27	
OBF 25	25	95	25,5	9,0	31,0	37,5	76,0	9	71	2,0	57	SA 205	PFL 205	0,34	
OBF 30	30	113	29,2	9,5	35,7	44,0	90,5	11	84	2,6	68	SA 206	PFL 206	0,49	
OBF 35	35	125	31,9	11,0	38,9	51,0	100,0	11	94	2,6	78	SA 207	PFL 207	0,72	
OBF 40	40	148	36,2	11,5	43,7	58,0	119,0	14	110	3,4	87	SA 208	PFL 208	0,98	