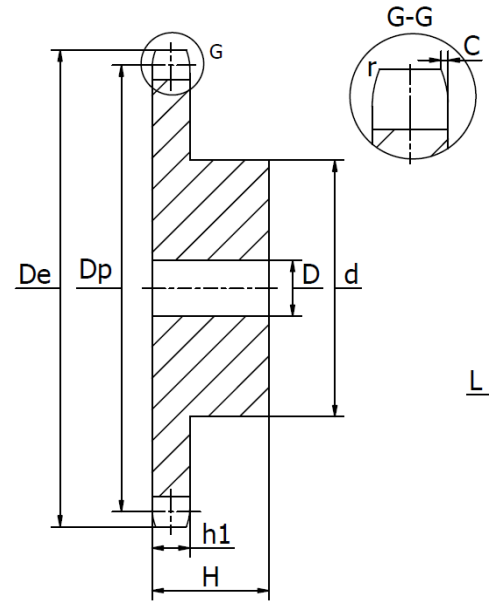


Stainless Steel Simplex Sprockets

For chains according to DIN 8187 - ISO/R 606, Material 304 L Stainless Steel.

Tolerance for rough hole = H12

Product No.	Dimensions (mm)				
	d	D	H	De	Dp
KR 06 B-1 13T SS	28	10	25	43,0	39,80
KR 06 B-1 14T SS	31	10	25	46,3	42,80
KR 06 B-1 15T SS	34	10	25	49,3	45,81
KR 06 B-1 16T SS	37	10	28	52,3	48,82
KR 06 B-1 17T SS	40	10	28	55,3	51,83
KR 06 B-1 18T SS	43	10	28	58,3	54,85
KR 06 B-1 19T SS	45	10	28	61,3	57,87
KR 06 B-1 20T SS	46	10	28	64,3	60,89
KR 06 B-1 21T SS	48	12	28	68,0	63,91
KR 06 B-1 22T SS	50	12	28	71,0	66,93
KR 06 B-1 23T SS	52	12	28	73,5	69,95
KR 06 B-1 24T SS	54	12	28	77,0	72,97
KR 06 B-1 25T SS	57	12	28	80,0	76,00
KR 06 B-1 30T SS	60	12	28	94,7	91,12



Product No.	Dimensions (mm)				
	d	D	H	De	Dp
KR 08 B-1 12T SS	33	10	28	53	49,03
KR 08 B-1 13T SS	37	10	28	57,4	53,06
KR 08 B-1 14T SS	41	10	28	61,8	57,07
KR 08 B-1 15T SS	45	10	28	65,5	61,09
KR 08 B-1 16T SS	50	12	28	69,5	65,10
KR 08 B-1 17T SS	52	12	28	73,6	69,11
KR 08 B-1 18T SS	56	12	28	77,8	73,14
KR 08 B-1 19T SS	60	12	28	81,7	77,16
KR 08 B-1 20T SS	64	12	28	85,8	81,19
KR 08 B-1 21T SS	68	14	28	89,7	85,22
KR 08 B-1 22T SS	70	14	28	93,8	89,24
KR 08 B-1 23T SS	70	14	28	98,2	93,27
KR 08 B-1 24T SS	70	14	28	101,8	97,29
KR 08 B-1 25T SS	70	14	28	105,8	101,33
KR 08 B-1 26T SS	70	16	30	110,0	105,36
KR 08 B-1 30T SS	80	16	30	126,1	121,50

Product No.	Dimensions (mm)				
	d	D	H	De	Dp
KR 12 B-1 12T SS	52	14	35	81,5	73,60
KR 12 B-1 13T SS	58	14	35	87,5	79,59
KR 12 B-1 14T SS	64	14	35	93,6	85,61
KR 12 B-1 15T SS	70	14	35	99,8	91,63
KR 12 B-1 16T SS	75	16	35	105,5	97,65
KR 12 B-1 17T SS	80	16	35	111,5	103,67
KR 12 B-1 18T SS	80	16	35	118,0	109,71
KR 12 B-1 19T SS	80	16	35	124,2	115,75
KR 12 B-1 20T SS	80	16	35	129,7	121,78
KR 12 B-1 21T SS	90	20	40	136,0	127,82
KR 12 B-1 22T SS	90	20	40	141,8	133,86
KR 12 B-1 23T SS	90	20	40	149,0	139,90
KR 12 B-1 24T SS	90	20	40	153,9	145,94
KR 12 B-1 25T SS	90	20	40	160,0	152,00
KR 12 B-1 30T SS	95	20	40	190,5	182,25

Product No.	Dimensions (mm)				
	d	D	H	De	Dp
KR 10 B-1 12T SS	42	12	30	68,0	61,34
KR 10 B-1 13T SS	47	12	30	73,0	66,32
KR 10 B-1 14T SS	52	12	30	78,0	71,34
KR 10 B-1 15T SS	57	12	30	83,0	76,36
KR 10 B-1 16T SS	60	14	30	88,0	81,37
KR 10 B-1 17T SS	60	14	30	93,0	86,39
KR 10 B-1 18T SS	70	14	30	98,3	91,42
KR 10 B-1 19T SS	70	14	30	103,3	96,45
KR 10 B-1 20T SS	75	14	30	108,4	101,49
KR 10 B-1 21T SS	75	16	30	113,4	106,52
KR 10 B-1 22T SS	80	16	30	118,0	111,55
KR 10 B-1 23T SS	80	16	30	123,4	116,58
KR 10 B-1 24T SS	80	16	30	128,3	121,62
KR 10 B-1 25T SS	80	16	30	134,0	126,66
KR 10 B-1 30T SS	90	20	35	158,8	151,87

Product No.	Dimensions (mm)				
	d	D	H	De	Dp
KR 16 B-1 12T SS	69	16	40	109,0	98,14
KR 16 B-1 13T SS	78	16	40	117,0	106,12
KR 16 B-1 14T SS	84	16	40	125,0	114,15
KR 16 B-1 15T SS	92	16	40	133,0	122,17
KR 16 B-1 16T SS	100	20	45	141,0	130,20
KR 16 B-1 17T SS	100	20	45	149,0	138,22
KR 16 B-1 18T SS	100	20	45	157,0	146,28
KR 16 B-1 19T SS	100	20	45	165,2	154,33
KR 16 B-1 20T SS	100	20	45	173,2	162,38
KR 16 B-1 21T SS	110	20	50	181,2	170,43
KR 16 B-1 22T SS	110	20	50	189,3	178,48
KR 16 B-1 23T SS	110	20	50	197,5	186,53
KR 16 B-1 24T SS	110	20	50	205,5	194,59
KR 16 B-1 25T SS	110	20	50	213,5	202,66
KR 16 B-1 30T SS	120	20	50	254,0	243,00