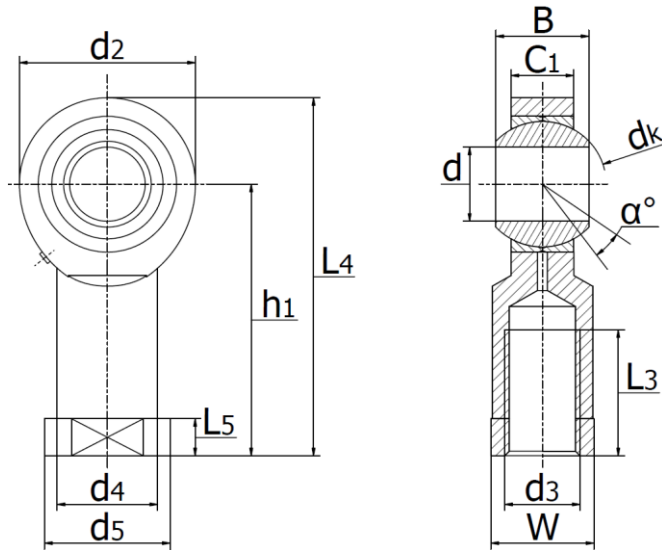


GIKL..PB - Rod ends

with internal thread, requires maintenance, to DIN ISO 12 240-4, left hand thread, (TSFL / SILKAC .. M / GILS / KIL / SFLC / SILPB .. S).



Rod body with left-hand female thread.

It is made up of a radial spherical plain bearing and rod body.

Surface of rod body zinc plated, with a lubricating hole or grease nipple.

No lubrication grooves and holes in the models marked with a *.

Material: Steel innerring, brass outerring.

Part No.	Dimensions (mm)													Load ratings (kN)		Weight (kg)	
	d	d ₃	B	C ₁	L ₃	W	d ₂	h ₁	L ₄	L ₅	d ₄	d ₅	d _k	α	dyn. C		stat. C0
GIKL5PB*	5	M5x0,8	8	6	10	9	18	27	36	4	8,5	11	11,11	13	5,7	6	0,02
GIKL6PB*	6	M6x1,0	9	6,75	12	11	20	30	40	5	10	13	12,7	13	7,2	7,65	0,02
GIKL8PB*	8	M8x1,25	12	9	16	14	24	36	48	5	12,5	16	15,875	14	11,6	12,9	0,05
GIKL10PB*	10	M10x1,5	14	10,5	20	17	28	43	57	6,5	15	19	19,05	13	14,5	18	0,08
GIKL12PB*	12	M12x1,75	16	12	22	19	32	50	66	6,5	17,5	22	22,225	13	17	24	0,10
GIKL14PB	14	M14x2,0	19	13,5	25	22	36	57	75	8	20	25	25,4	16	24	31	0,16
GIKL16PB	16	M16x2,0	21	15	28	22	42	64	85	8	22	27	28,575	15	28,5	39	0,22
GIKL18PB	18	M18x1,5	23	16,5	32	27	44	71	93	10	25	31	31,75	15	42,5	47,5	0,32
GIKL20PB	20	M20x1,5	25	18	33	30	50	77	102	10	27,5	34	34,925	14	42,5	57	0,42
GIKL22PB	22	M22x1,5	28	20	37	32	54	84	111	12	30	38	38,1	15	57	68	0,54
GIKL25PB	25	M24x2,0	31	22	42	36	60	94	124	12	33,5	42	42,86	15	68	85	0,72
GIKL28PB	28	M27x2,0	35	24	51	41	66	103	136	14	37	46	47,63	15	86	107	0,82
GIKL30PB	30	M30x2,0	37	25	51	41	70	110	145	15	40	50	50,8	17	88	114	1,10
GIKL35PB	35	M36x2,0	43	28	56	50	81	125	165,5	17	46	58	57,15	16	-	-	1,60
GIKL40PB	40	M42x2,0	49	33	60	55	91	142	187,5	19	53	65	66,67	16	-	-	2,40
GIKL50PB	50	M48x2,0	60	45	65	65	117	160	218,5	23	65	75	82,5	12	-	-	5,00