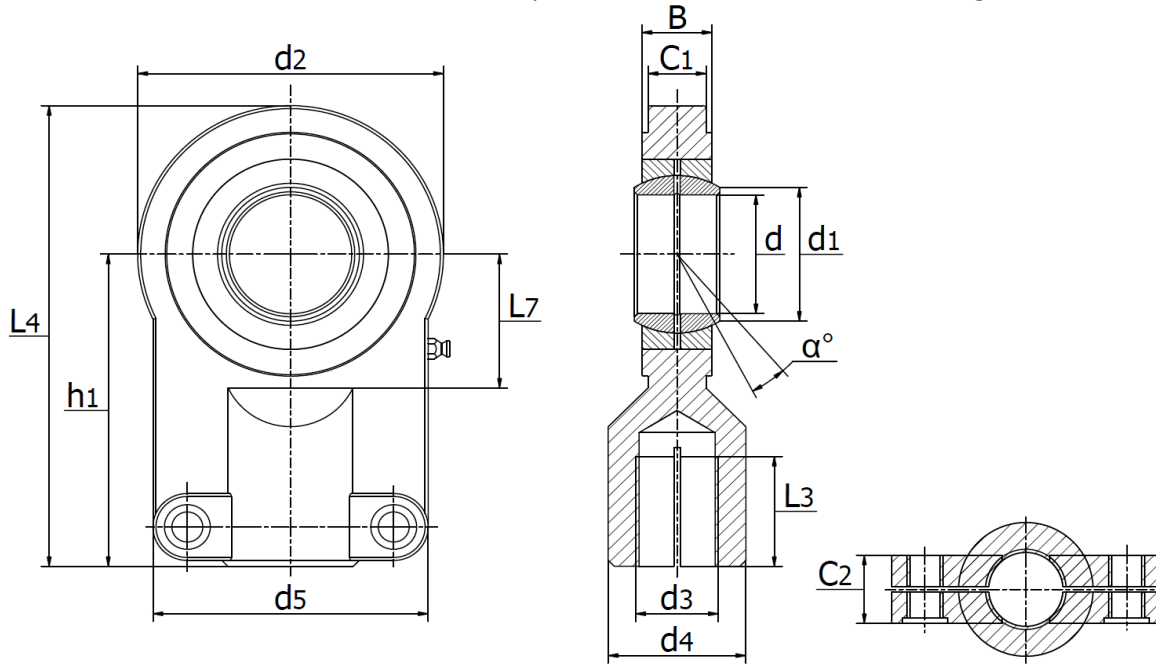




GIHO-K..DO - Rod ends for hydraulic components

Maintenance required, with female thread and locking nuts.



Rod end housings with right or left-hand female thread.

For left-hand thread, please add suffix "L", i.ex. GIHO-KL 50 DO.

It is made up of a radial spherical plain bearing GE..DO or GE..DO 2RS.

With locking slot and nut.

Rod end housing with a lubrication hole or grease nipple.

Relubrication not possible for the size marked "*".

Material: Steel inner- and outerring.

Part No.	Dimensions (mm)														Load ratings (kN)		Weight (kg)
	d	d _{3 6H}	d ₄	L _{3 min}	B	C ₁	d ₂	L _{7 min}	h ₁	L ₄	d ₅	d ₁	C ₂	α	dyn. C	stat. C ₀	
GIHO-K 12 DO*	12	M10x1,25	17	15	10	8	35	16	42	59,5	40	15,0	13	11	10,8	17,0	0,12
GIHO-K 16 DO	16	M12x1,25	21	17	14	11	45	20	48	70,5	45	20,7	13	10	21,1	28,5	0,22
GIHO-K 20 DO	20	M14x1,5	25	19	16	13	55	25	58	85,5	55	24,2	17	9	30,0	42,5	0,43
GIHO-K 25 DO	25	M16x1,5	30	23	20	17	65	30	68	100,5	62	29,3	17	7	48,0	67,0	0,67
GIHO-K 30 DO	30	M20x1,5	36	29	22	19	80	35	85	125,0	77	34,2	19	6	62,0	108,0	1,25
GIHO-K 40 DO	40	M27x2,0	45	37	28	23	100	45	105	155,0	90	45,0	23	7	100,0	156,0	2,16
GIHO-K 50 DO	50	M33x2,0	55	46	35	30	120	58	130	190,0	105	55,9	30	6	156,0	245,0	3,90
GIHO-K 60 DO	60	M42x2,0	68	57	44	38	160	68	150	230,0	134	66,8	38	6	245,0	380,0	7,15
GIHO-K 80 DO	80	M48x2,0	90	64	55	47	205	82	185	287,5	156	89,4	47	6	400,0	585,0	15,00
GIHO-K 100 DO	100	M64x3,0	110	86	70	55	240	116	240	360,0	190	109,5	55	7	610,0	865,0	27,30