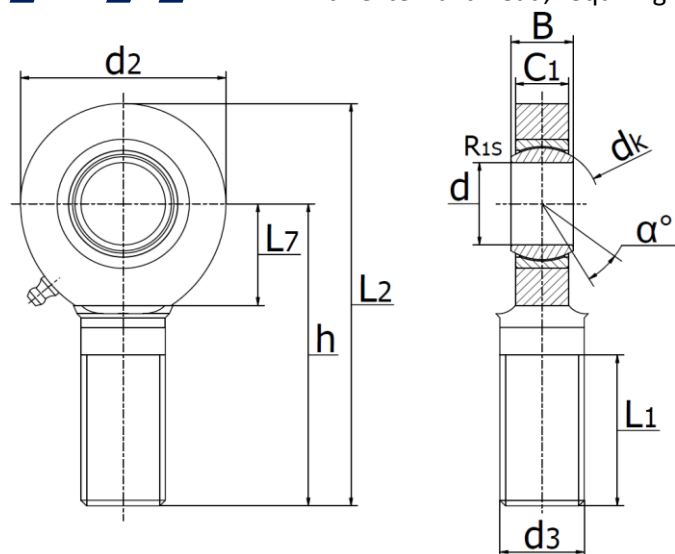




GAL..DO (2RS) - Rod ends

with external thread, requiring maintenance, to DIN ISO 12 240-4, left hand thread, (SAL..ES / SAL..ES.2RS).



Rod body with left-hand male thread.

It is made up of a radial spherical plain bearing GE..DO or GE..DO.2RS and rod body.

Surface of rod body zinc plated, with a lubricating hole or grease nipple.

No lubrication grooves and holes in the models marked with a *.

Material: Steel inner- and outerring.

Part No.		Dimensions (mm)											Load ratings (kN)		Weight	
Open	Sealed	d	d ₃	B	C ₁	L _{1 min}	d ₂	L _{7 min}	h	L ₂	d _k	R _{1s}	α	dyn. C	stat. C0	(kg)
GAL6DO*	-	6	M6x1,0	6	4,4	18	21	12	36	46,5	10	0,3	13°	3,4	8,15	0,017
GAL8DO*	-	8	M8x1,25	8	6	22	24	14	42	54	13	0,3	15°	5,5	12,9	0,029
GAL10DO*	-	10	M10x1,5	9	7	26	29	15	48	62,5	16	0,3	12°	8,15	17,6	0,051
GAL12DO*	-	12	M12x1,75	10	8	28	34	18	54	71	18	0,3	11°	10,8	24,5	0,086
GAL15DO	-	15	M14x2,0	12	10	34	40	20	63	83	22	0,3	8°	17	36	0,14
GAL17DO	-	17	M16x2,0	14	11	36	46	23	69	92	25	0,3	10°	21,2	45	0,19
GAL20DO	-	20	M20x1,5	16	13	43	53	27	78	104,5	29	0,6	9°	30	60	0,31
GAL25DO	-	25	M24x2,0	20	17	53	64	32	94	126	35,5	0,6	7°	48	83	0,56
GAL30DO	-	30	M30x2,0	22	19	65	73	37	110	146,5	40,7	0,6	6°	62	110	0,89
-	GAL35DO.2RS	35	M36x3,0	25	21	82	82	42	140	181	47	0,6	6°	80	146	1,4
-	GAL40DO.2RS	40	M39x3,0	28	23	86	92	48	150	196	53	0,6	7°	100	180	1,8
-	GAL45DO.2RS	45	M42x3,0	32	27	94	102	52	163	214	60	0,6	7°	127	240	2,6
-	GAL50DO.2RS	50	M45x3,0	35	30	107	112	60	185	241	66	0,6	6°	156	290	3,4
-	GAL60DO.2RS	60	M52x3,0	44	38	115	135	72	210	277,5	80	1	6°	245	450	5,9
-	GAL70DO.2RS	70	M56x4,0	49	42	125	160	87	235	315	92	1	6°	315	610	8,2
-	GAL80DO.2RS	80	M64x4,0	55	47	140	180	100	270	360	105	1	6°	400	750	12