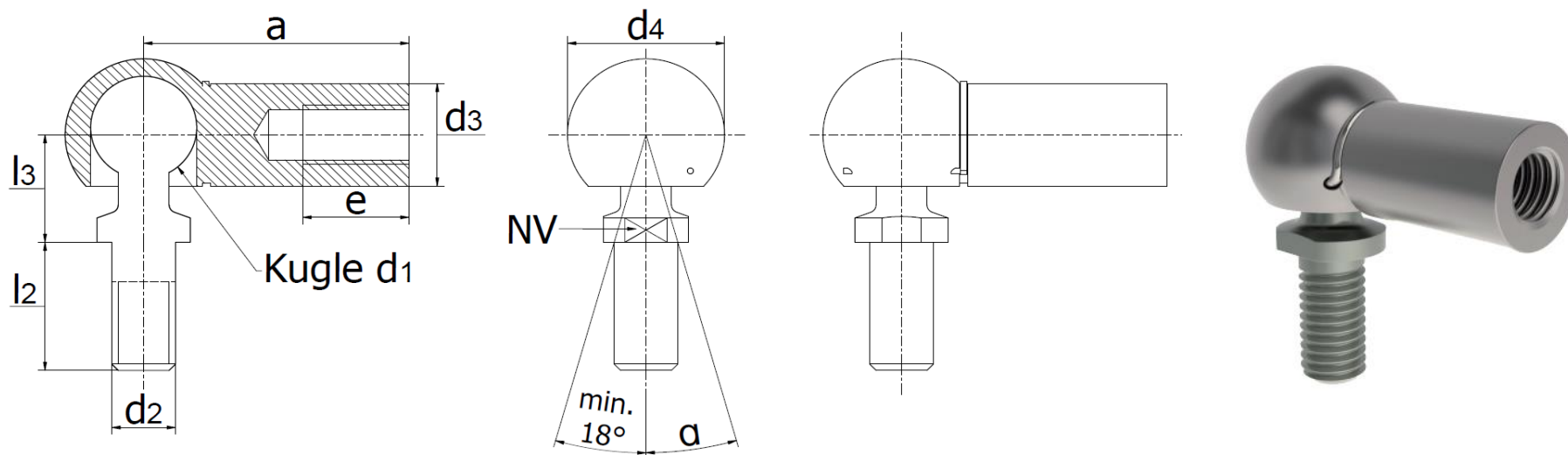




CS - Angled Ball Joint (DIN71802)

zinc plated steel, hardened ball stud with a min. breaking strength of $R_m = 600\text{N/mm}^2$, ball socket breaking strength $R_m = 500\text{N/mm}^2$, also available with left hand thread - add suffix L to the part no.



Part No.	Ball d ₁ h9	Thread d ²	Dimensions (mm)							
			a ±0,3	d ₃ ±0,5	d ₄ ±0,5	e min.	l ₂ ±0,3	l ₃ ±0,3	NV h14	α °
CS6M4	6	M4	22	7	10,6	10,2	8	8,5	5	
CS8M5	8	M5	22	8	12,8	10,2	10,2	9	7	10
CS10M6	10	M6	25	10	14,8	11,5	12,5	11	8	15
CS13M8	13	M8	30	13	19,3	14	16,5	13	11	15
CS16M10X1.25	16	M10X1,25	35	16	24	15,5	20	16	13	15
CS16M10X1.5	16	M10X1,5	35	16	24	15,5	20	16	13	15
CS16M12	16	M12	35	16	24	15,5	20	16	13	15
CS19M14X1.5	19	M14X1,5	45	22	30	21,5	28	20	16	15
CS19M14	19	M14	45	22	30	21,5	28	20	16	15
CS19M16	19	M16	45	22	30	21,5	28	20	16	15