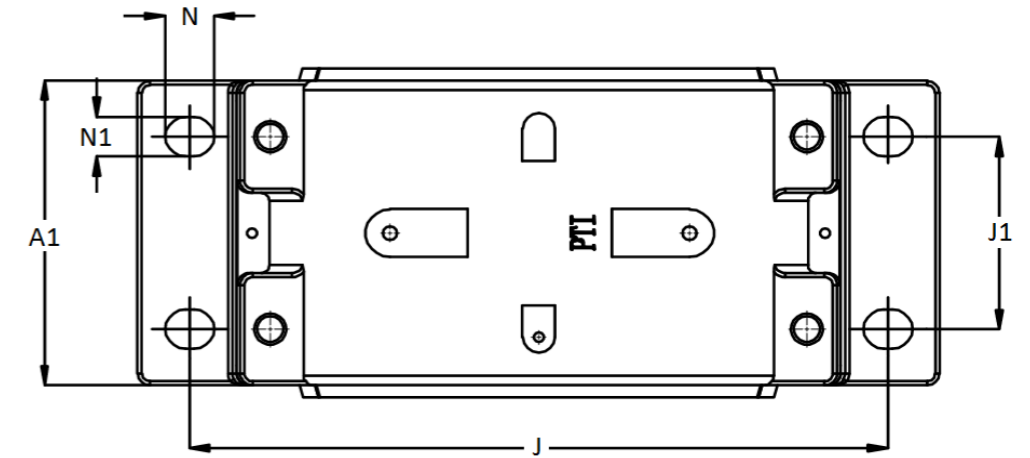
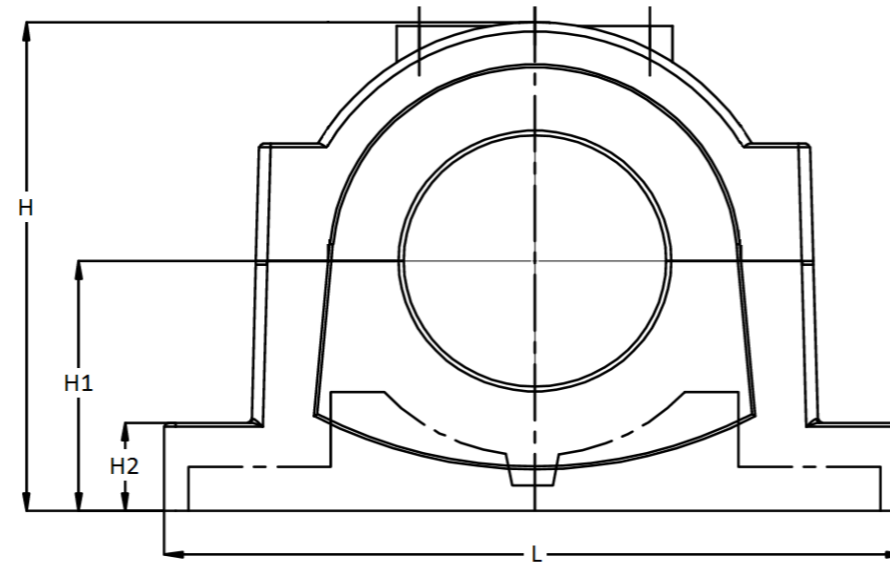
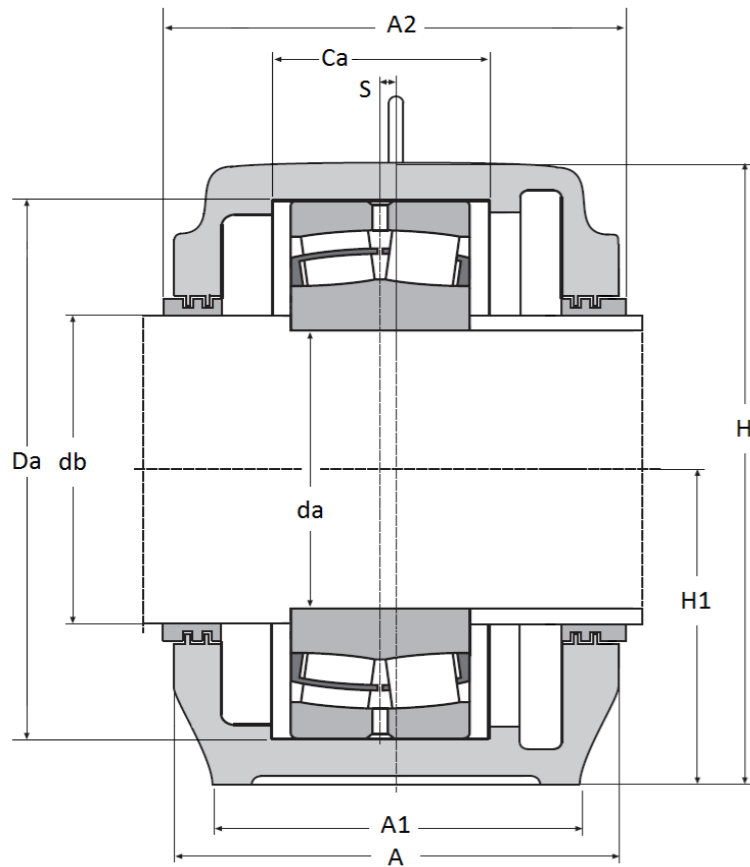




### SD 3000 G Series - Split Plummer Block Housings

for spherical roller bearings on a cylindrical shaft, labyrinth seal, cast iron GG 20, incl. eye bolt.



Housing No.	Shaft		Dimensions (mm)														Mounting Bolt	Weight (kg)	Labyrinth Seals	Bearing	Fixing Rings	End cover	O-Ring $\varnothing$ * Length	Grease Qty First filling
	da	db	Da	Ca	A	A1	A2	H	H1	H2	L	J	J1	N	N1	S								
SD 3036 G	180	200	280	108	230	180	240	333	170	70	510	430	100	34	28	14	M24	70	TS 44	23036	2 x FR 280-17	ETS44	4 x 680	1,2 kg
SD 3038 G	190	200	290	115	240	190	250	353	180	75	530	450	110	34	28	15	M24	78	TS 44	23038	4 x FR 290-10	ETS44	4 x 680	1,5 kg
SD 3040 G	200	220	310	122	260	210	270	375	190	80	560	480	120	34	28	10	M24	98	TS 48	23040	4 x FR 310-10	ETS48	4 x 750	2,0 kg
SD 3044 G	220	240	340	130	280	230	290	411	210	85	610	510	130	42	35	10	M30	123	TS 52	23044	4 x FR 340-10	ETS52	4 x 810	2,7 kg
SD 3048 G	240	260	360	140	290	240	300	434	220	90	640	540	140	42	35	12	M30	139	TS 56	23048	4 x FR 360-12	ETS56	4 x 870	3,0 kg
SD 3052 G	260	280	400	148	310	260	315	474	240	95	700	600	150	42	35	12	M30	187	TS 60	23052	2 x FR 400-22	ETS60	4 x 940	3,9 kg
SD 3056 G	280	300	420	166	320	280	330	516	260	100	770	650	160	50	42	13	M36	221	TS 64	23056	6 x FR 420-10	ETS64	4 x 1000	4,9 kg
SD 3060 G	300	320	460	168	320	280	330	551	280	105	790	670	160	50	42	16	M36	252	TS 68	23060	2 x FR 460-25	ETS68	4 x 1050	5,2 kg
SD 3064 G	320	340	480	181	350	310	360	591	300	110	830	710	190	50	42	22	M36	301	TS 72	23064	6 x FR 480-10	ETS72	4 x 1090	7,0 kg
SD 3068 G	340	360	520	197	370	330	380	631	320	115	880	750	200	50	42	23	M36	339	TS 76	23068	4 x FR 520-16	ETS76	4 x 1150	8,7 kg
SD 3072 G	360	380	540	198	370	330	380	631	320	115	880	750	200	50	42	23	M36	339	TS 80	23072	4 x FR 540-16	ETS80	4 x 1220	11,0 kg
SD 3076 G	380	400	560	180	400	360	410	675	340	120	950	810	220	50	42	24	M36	415	TS 84	23076	2 x FR 560-22,5	ETS84	4 x 1280	11,0 kg
SD 3080 G	400	430	600	192	400	360	410	695	350	120	1000	840	220	50	42	30	M36	445	TS 92	23080	2 x FR 600-22	ETS92	4 x 1350	11,5 kg
SD 3084 G	420	450	620	194	400	360	410	715	360	120	1040	870	220	50	42	30	M36	460	TS 96	23084	2 x FR 620-22	ETS96	4 x 1410	12,0 kg

These Housings can also be manufactured of ductile iron or cast steel. Special kevlar or felt seals on request.