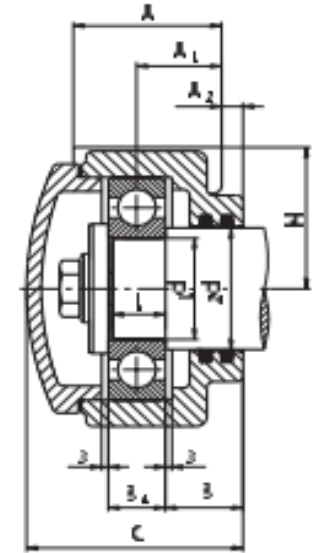
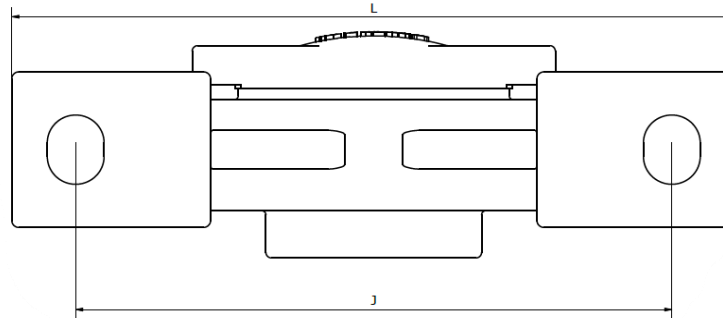
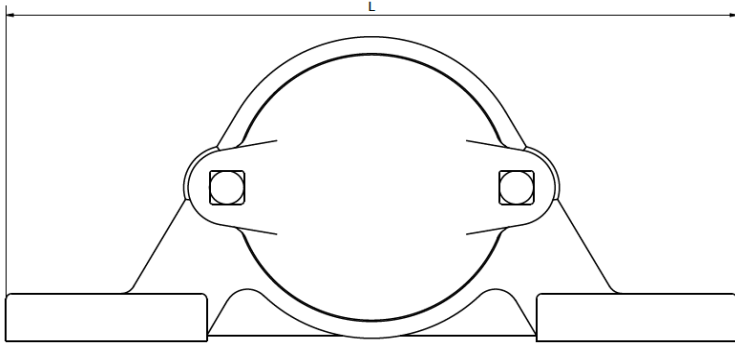


TVN 6... A Series - Pillow Block Housings for Conveyor Trolleys

F7 bearing fit for high temperature usage, delivered with graphite seal.



Part No.	Dimensions (mm)													Bearing No.	Weight (kg)
	d	d2	C	H	H1	J	L	A	A2	A2	B	Ba	I		
TVN 6207	35	40	76	50	18	210	255	57	38,5	10	17	30	15	6207	2,6
TVN 6208	40	45	81	55	17	210	255	56	39	11	18	30	16	6208	3,7
TVN 6309	45	55	95	70	18	210	256	55	44	10	25	32,5	23	6309	6,3
TVN 6310	50	60	102	70	23	210	270	70	50	10	27	36,5	25	6310	6,9
TVN 6211	55	65	95	70	23	210	270	70	45	8	21	34,5	19	6211	6,2
TVN 6213	65	75	108,5	80	25	230	290	80	52	10	23	40,5	21	6213	9,1