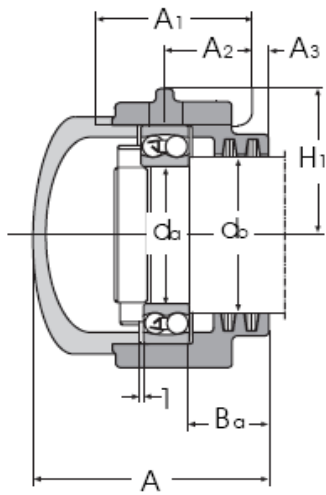
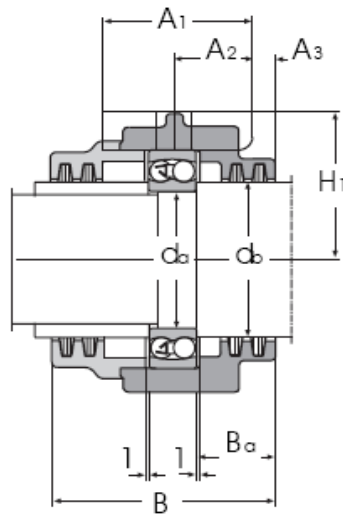


TVN 200 Series - Pillow Block Housings for Conveyor Trolleys

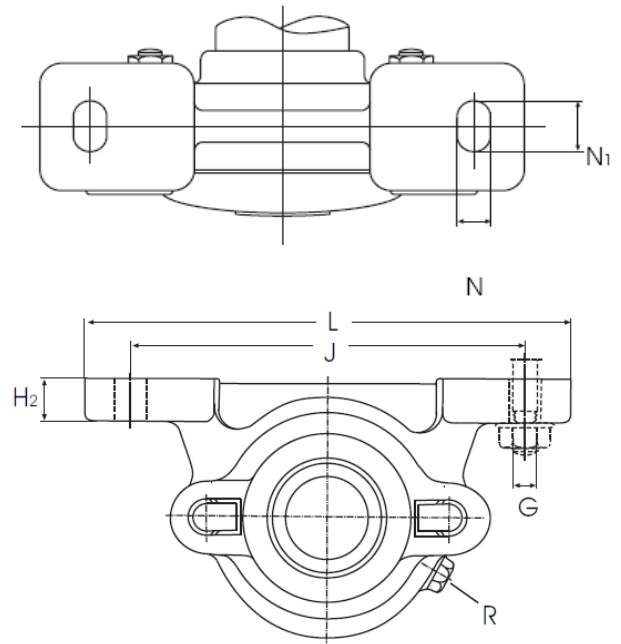
Series TVN 2.. WA (end shaft) / Series TVN 2.. WB (through shaft). Incl. felt-seal. For self aligning ball bearing series 12 - 22 and spherical roller bearing 222 with cylindrical bore. Universal housing for all bearing types, TVN 200 WA & WB versions possible with locating rings.



Type WA/A



Type WB/B



Item Number	Dimensions (mm)															Weight	
WA + WB	da	db	A	B	A ₁	A ₂	A ₃	N	N ₁	H ₁	H ₂	J	L	G	B _a	R	(kg)
TVN 204 WA*	20	25	61	-	45	25	6	15	22	35	14	110	150	M 12	21,5	M6	1,3
TVN 204 WB*	20	25	-	68	45	25	6	15	22	35	14	110	150	M 12	21,5	M6	1,5
TVN 205 WA*	25	30	63	-	45	25	7	15	22	40	16	130	170	M 12	22,5	M6	1,8
TVN 205 WB*	25	30	-	70	45	25	7	15	22	40	16	130	170	M 12	22,5	M6	1,9
TVN 206 WA*	30	35	71	-	52	30	7	15	22	50	16	150	190	M 12	25,0	M6	2,6
TVN 206 WB*	30	35	-	76	52	30	7	15	22	50	16	150	190	M 12	25,0	M6	2,7
TVN 207 WA*	35	45	77	-	52	30	8	15	22	50	18	150	190	M 12	25,5	M6	3,0
TVN 207 WB*	35	45	-	78	52	30	8	15	22	50	18	150	190	M 12	25,5	M6	3,4
TVN 208 WA	40	50	86	-	60	35	8	14	23	60	18	170	210	M 12	30,5	M6	4,5
TVN 208 WB	40	50	-	92	60	35	8	14	23	60	18	170	210	M 12	30,5	M6	4,5
TVN 209 WA	45	55	87	-	60	35	8	14	23	60	20	170	210	M 12	30,0	M6	4,3
TVN 209 WB	45	55	-	92	60	35	8	14	23	60	20	170	210	M 12	30,0	M6	4,6
TVN 210 WA	50	60	90	-	60	35	8	14	23	60	20	170	210	M 12	32,5	M6	4,6
TVN 210 WB	50	60	-	94	60	35	8	14	23	60	20	170	210	M 12	32,5	M6	4,8
TVN 211 WA	55	65	95	-	70	40	8	20	32	70	23	210	270	M 16	32,5	M6	6,5
TVN 211 WB	55	65	-	100	70	40	8	20	32	70	23	210	270	M 16	32,5	M6	6,8
TVN 212 WA	60	70	102	-	70	40	10	20	32	70	23	210	270	M 16	36,0	M6	7,0
TVN 212 WB	60	70	-	105	70	40	10	20	32	70	23	210	270	M 16	36,0	M6	7,5
TVN 213 WA	65	75	110	-	80	45	10	20	32	80	25	230	290	M 16	36,5	M6	9,5
TVN 213 WB	65	75	-	115	80	45	10	20	32	80	25	230	290	M 16	36,5	M6	9,9
TVN 214 WA	70	80	111	-	80	45	10	20	32	80	25	230	290	M 16	37,0	M6	9,4
TVN 214 WB	70	80	-	115	80	45	10	20	32	80	25	230	290	M 16	37,0	M6	10,4
TVN 215 WA	75	85	115	-	80	45	10	20	32	80	25	230	290	M 16	38,5	M6	10,4
TVN 215 WB	75	85	-	117	80	45	10	20	32	80	25	230	290	M 16	38,5	M6	10,0

* Not available from stock, MOQ 100 pcs.