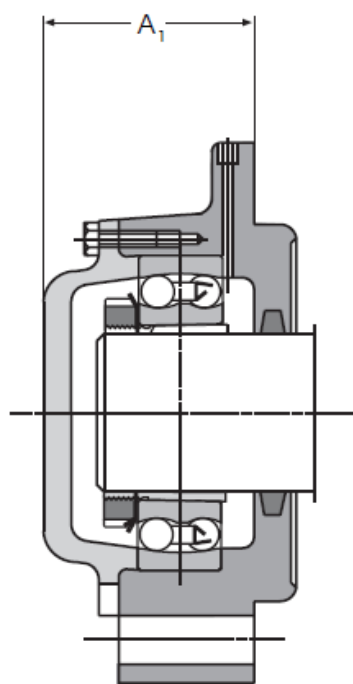
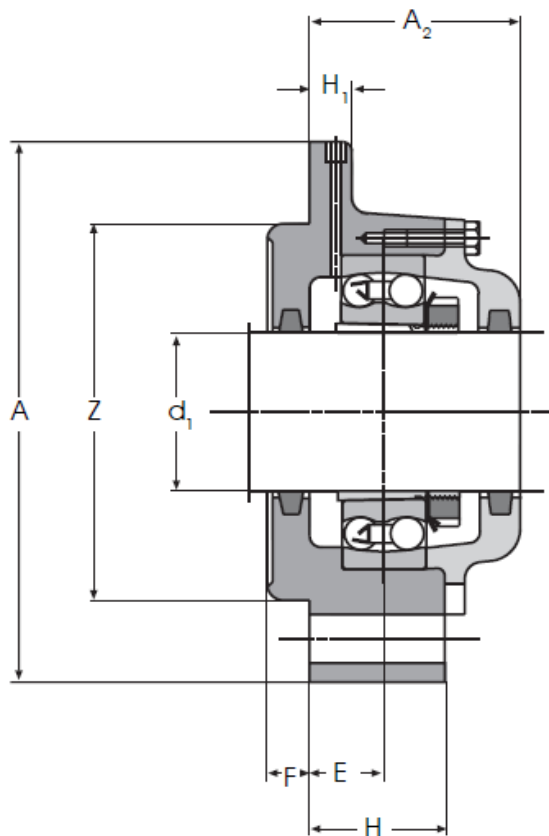


TIL 500 K

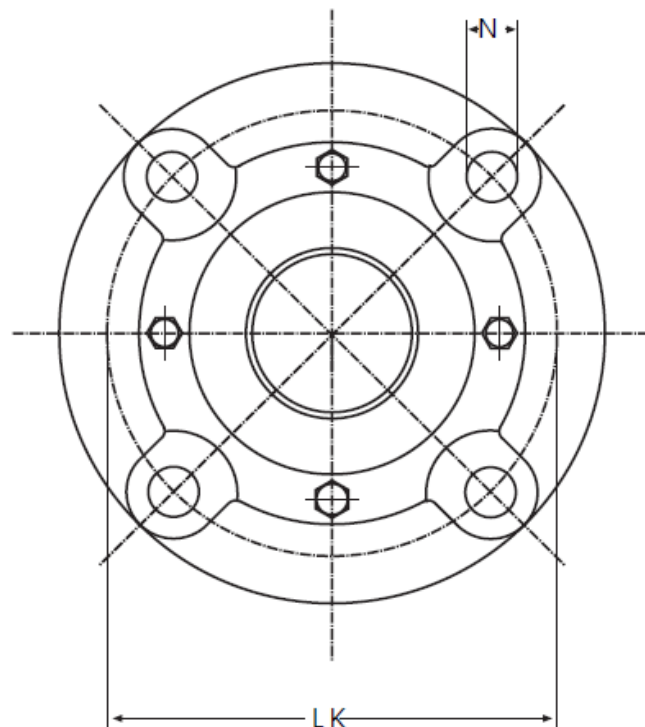
Piloted Flanged Housing for self-aligning ball bearings 2200K/22200K + H300, groove for felt seals.



Type A



Type B



Product No.	Dimensions										
	d_1	A_1	A_2	H	H_1	F	E	LK	Z_{hb}	N	A
TIL 509 K	40	64,0	64,0	36	15	12	22,5	132	105	16	160
TIL 511 K	50	70,0	70,0	40	15	12	25,5	150	125	18	185
TIL 513 K	60	77,0	77,0	43	15	14	25,5	170	145	18	205