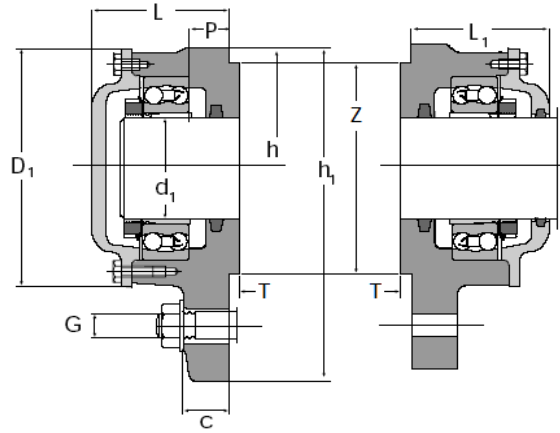
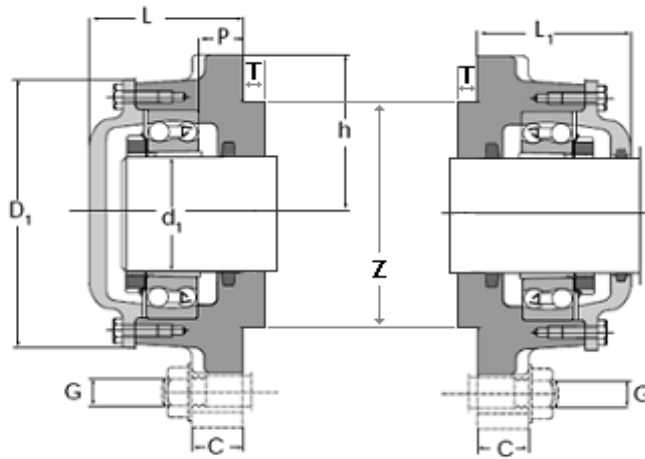
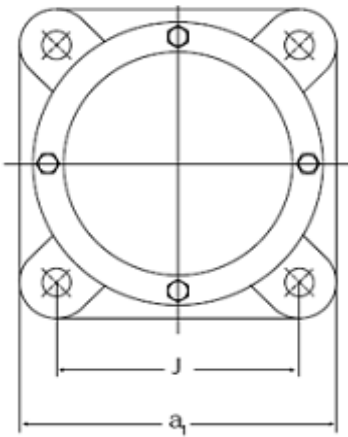


Form for shafts Ø 20 - Ø 60



Arrangement A

Arrangement B



Arrangement A

Arrangement B

| Part No. | | Dimensions (mm) | | | | | | | | | | | | | | Weight | |
|------------------|------------------|-----------------|----------------|-----|----------------|-----|----------------|-----|----|----|-----|----|----------------|-----|----|--------|------|
| | | d ₁ | D ₁ | L | L ₁ | h | h ₁ | a | c | R | G | P | a ₁ | J | T | Z | (kg) |
| 722512 AZ | 722512 BZ | 55 | 142 | 77 | 82 | 72 | 189 | 210 | 16 | 90 | M12 | 23 | - | - | 10 | 130 | 5 |
| 722516 AZ | 722516 BZ | 70 | 176 | 104 | 113 | 98 | - | - | 25 | - | M16 | 31 | 196 | 152 | 10 | 130 | 10 |
| 722518 AZ | 722518 BZ | 80 | 189 | 113 | 118 | 105 | - | - | 25 | - | M16 | 30 | 210 | 170 | 10 | 150 | 13 |
| 722520 AZ | 722520 BZ | 90 | 224 | 122 | 127 | 125 | - | - | 30 | - | M20 | 30 | 250 | 98 | 10 | 170 | 18 |